



**Art.-Nr: ILDS028WL**  
**Emergency light Self-contained**  
**Surface mounting, Wireless Professional (WL), 8 h, , IP40,**  
**Polycarbonate, White**

Discreet plastic safety luminaire for fitting on the ceiling. The round safety luminaire, which adapts to the ceiling design.

Thanks to the snap-in mechanism between the upper and lower part, the luminaire has a harmonious look and appears closed all the way round. The luminaire is connected to the mains in the ceiling section. When closed, the luminaire is powered via contact plugs. This greatly simplifies mounting and makes convenient connection possible despite the small size of the luminaire.

Wireless central control and monitoring for large installations of up to 50,000 luminaires with **Wireless Professional**. The **innovative integrated lens** holder with a rapid fitting fixture permits the flexible use of various lens types. Using the right lens allows the distribution of light to be matched perfectly to the application and simplifies illumination which satisfies all relevant standards. A round lens and hall lens are supplied with every luminaire, allowing it to be adapted perfectly to the respective mounting situation. Other lenses, such as a spotlight lens, beam lens or H lens, are available as options.



More information

[www.rp-group.com/en/item/ILDS028WL](http://www.rp-group.com/en/item/ILDS028WL)



## TECHNICAL DATA

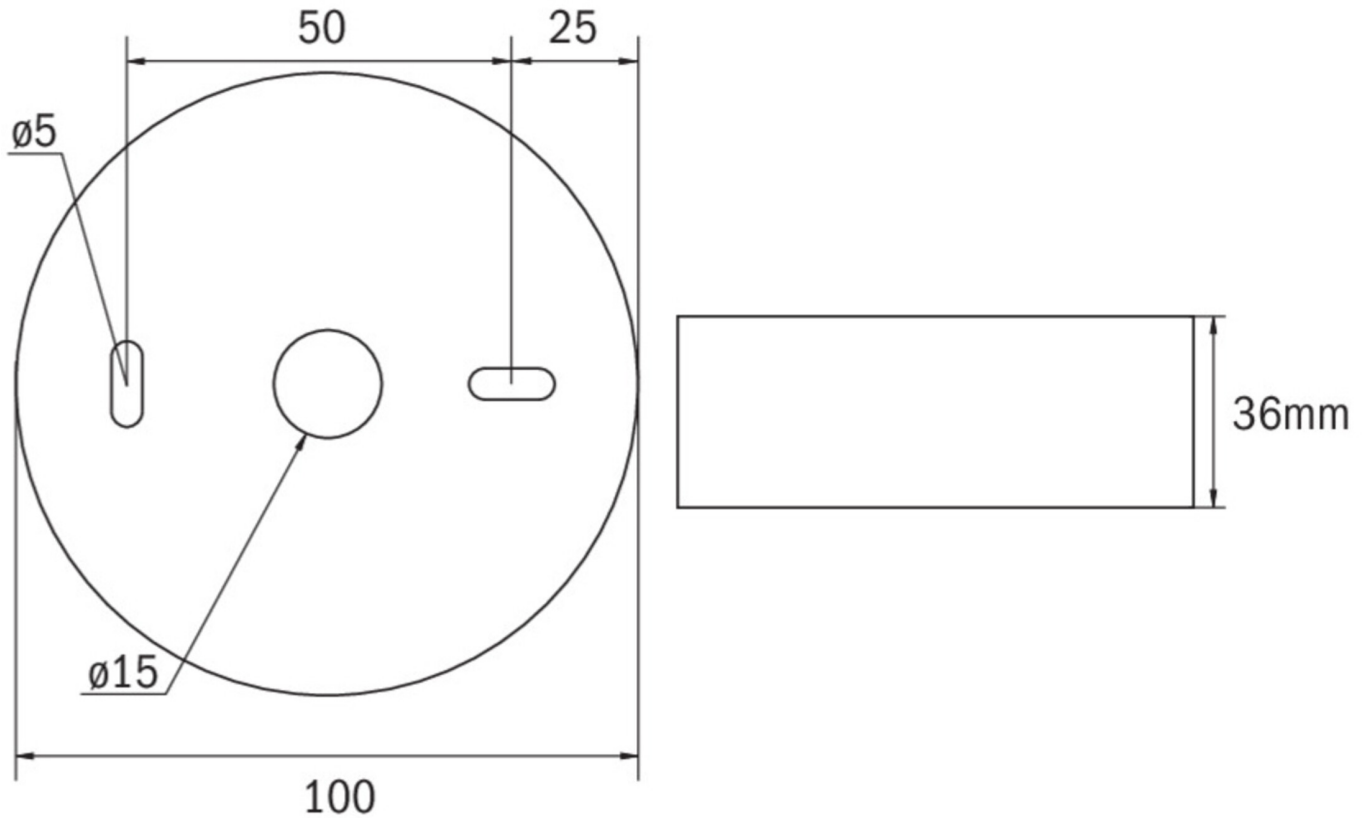
Luminaire type	Emergency light
Mounting	Surface mounting
Illuminant	LED
Housing material	Polycarbonate
Housing color	White
Protection type (IP)	IP40
Impact resistance (IK)	≥ 3
Certification	WEEE, CE, RoHS
Insulation class	2
Supply	Self-contained
Monitoring	Wireless Professional (WL)
Bridging time	8 h
Battery	NIMH 4,8 V/2,0 Ah



Operating mode	Non-maintained / maintained
Input voltageAC	230 V
Input frequency	50 / 60 Hz
Power max.	4 W
Power maintained	2 W
Power non-maintained	0,4 W
Ambient temperature maintained mode	-5 °C to 30 °C
Ambient temperature non-maintained mode	-5 °C to 40 °C
Height	36 mm
Diameter	100 mm
Weight	0.23
Weight incl. packaging	0.27
Connection cross-section	2.5 mm <sup>2</sup>
Switching input	Yes
Emergency light blocking	No
Battery connection	Connector
Dimming function	Yes
Luminous flux mains	110 lm
Luminous flux emergency	110 lm
Customs tariff number	94056120
EAN	4260581718596



## TECHNICAL DRAWING



## ACCESSORY LIST

- ILD-APA-02 - IL surface-mounted adapter
- IL-IK10-AZ -
- IL-IK10-W -
- ILDE - Mounting frame
- ILB1 - IL top part
- ILB2 - IL top part
- BALLPLX-ILD - Wire mesh surround
- IL-IP65-K - Surface-mounted housing

As of: 17.05.2025 - Subject to technical changes and errors.