



## Emergency luminaire Art.-No.: ILEL421SC

The discreet designed LED emergency luminaire IL is a true all-rounder. Whether as self-contained emergency light or to connect to central battery systems: it is fit for most challenges and always provides the right solution. The innovative integrated lens carrier with quick-mounting device enables the flexible use of different lens types depending on the application. Round and corridor lenses are already included in the scope of delivery for each light and enable perfect adaptation to the respective installation situation.

The IL recessed mounted luminaire consists of 2 parts, the recessed mounted part includes the power supply terminals. The electronic part of the luminaire is at disassembly mains voltage free.



### TECHNICAL DATA

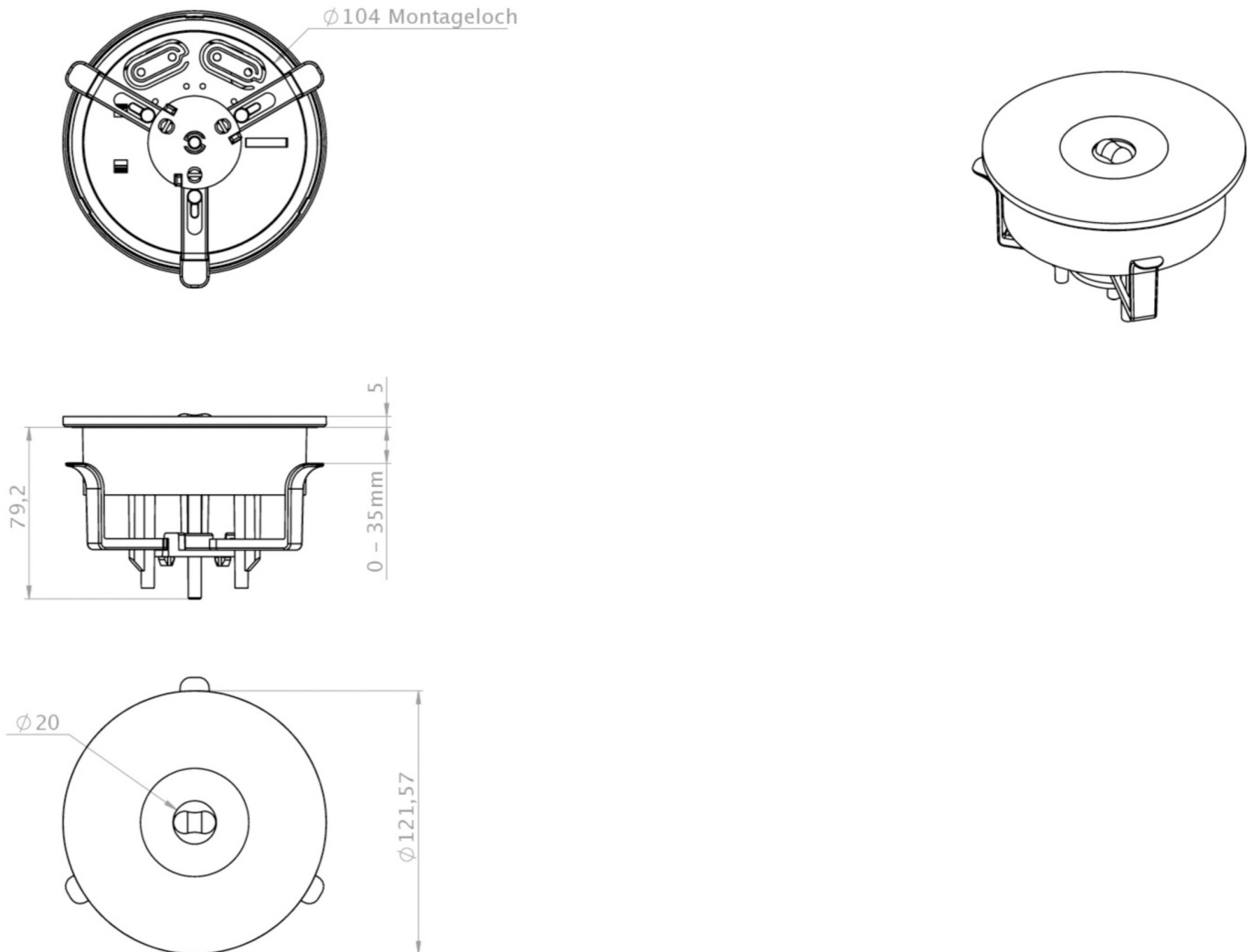
|   |                                |
|---|--------------------------------|
| Luminaire type                          | Emergency luminaire            |
| Mounting                                | Recessed ceiling               |
| Pictograph                              | No                             |
| Illuminant                              | LED                            |
| Housing material                        | Polycarbonate                  |
| Colour                                  | RAL 9003                       |
| Mechanical rating IP                    | 20                             |
| Impact resistance IK                    | ≥ 3                            |
| Protection class                        | 2                              |
| Supply                                  | Single battery                 |
| Monitoring                              | Self-Control                   |
| Operation time                          | 1 h                            |
| Battery                                 | 3.2V / 3.3 Ah LiFePO4          |
| Operation mode                          | maintained/non-maintained mode |
| Input Voltage AC                        | 230 V                          |
| Input Frequency Hz                      | 50 / 60 Hz                     |
| Power consumption max.                  | 3 W                            |
| Power consumption maintained            | 1,9 W                          |
| Power consumption non-maintained        | 0,2 W                          |
| Ambient temperature maintained mode     | -5 °C / 40 °C                  |
| Ambient temperature non-maintained mode | -5 °C / 40 °C                  |



|                              |               |
|------------------------------|---------------|
| Height                       | 84 mm         |
| Diameter                     | 122 mm        |
| Install. dim. height         | 80 mm         |
| Install. dim. diameter       | 105 mm        |
| Weight                       | 0.23 kg       |
| Weight incl. Packaging       | 0.29 kg       |
| Connection cross-section     | 2.5 mm        |
| Switching input L'           | Yes           |
| Emergency light blocking     | No            |
| Battery connector            | Plug          |
| Dimming function             | Yes           |
| Luminous flux mains mode     | 130 lm        |
| Luminous flux emergency mode | 250 lm        |
| Customs tariff number        | 94056120      |
| Country of origin            | Germany       |
| EAN                          | 4260682155801 |



## TECHNICAL DRAWING



## ACCESSORIES

- BALLPLX-ILE - Ball protection 190x190x62mm incl. fastening
- LSYS-B4 - 4x Beam lens for lights with a lens system, for
- LSYS-F4 - 4x corridor lenses for luminaires with lens
- LSYS-R4 - 4x round lenses for luminaires with lens
- LSYS-S4 - 4x Spotlens for luminaires with lens system.