



Art.-Nr: ILER021SC
Emergency light Self-contained
Ceiling mounting, SelfControl (SC), 1 h, , IP20, Polycarbonate,
White

Discreet plastic safety luminaire for fitting in the ceiling, which integrates inconspicuously into the ceiling.

The in-ceiling housing is easy to mount; it is fastened at three points using a screw. Strain relief to hold the connection cables is already integrated.

The luminaire is connected to the mains in the in-ceiling housing. When closed, the luminaire is powered via contact plugs. This greatly simplifies mounting and makes convenient connection possible despite the small size of the luminaire.

Automatic monitoring of safety luminaire with SelfControl. The innovative integrated lens holder with a rapid fitting fixture permits the flexible use of various lens types. Using the right lens allows the distribution of light to be matched perfectly to the application and simplifies illumination which satisfies all relevant standards. A round lens and hall lens are supplied with every luminaire, allowing it to be adapted perfectly to the respective mounting situation. Other lenses, such as a spotlight lens, beam lens or H lens, are available as options.



More information
www.rp-group.com/en/item/ILER021SC



TECHNICAL DATA

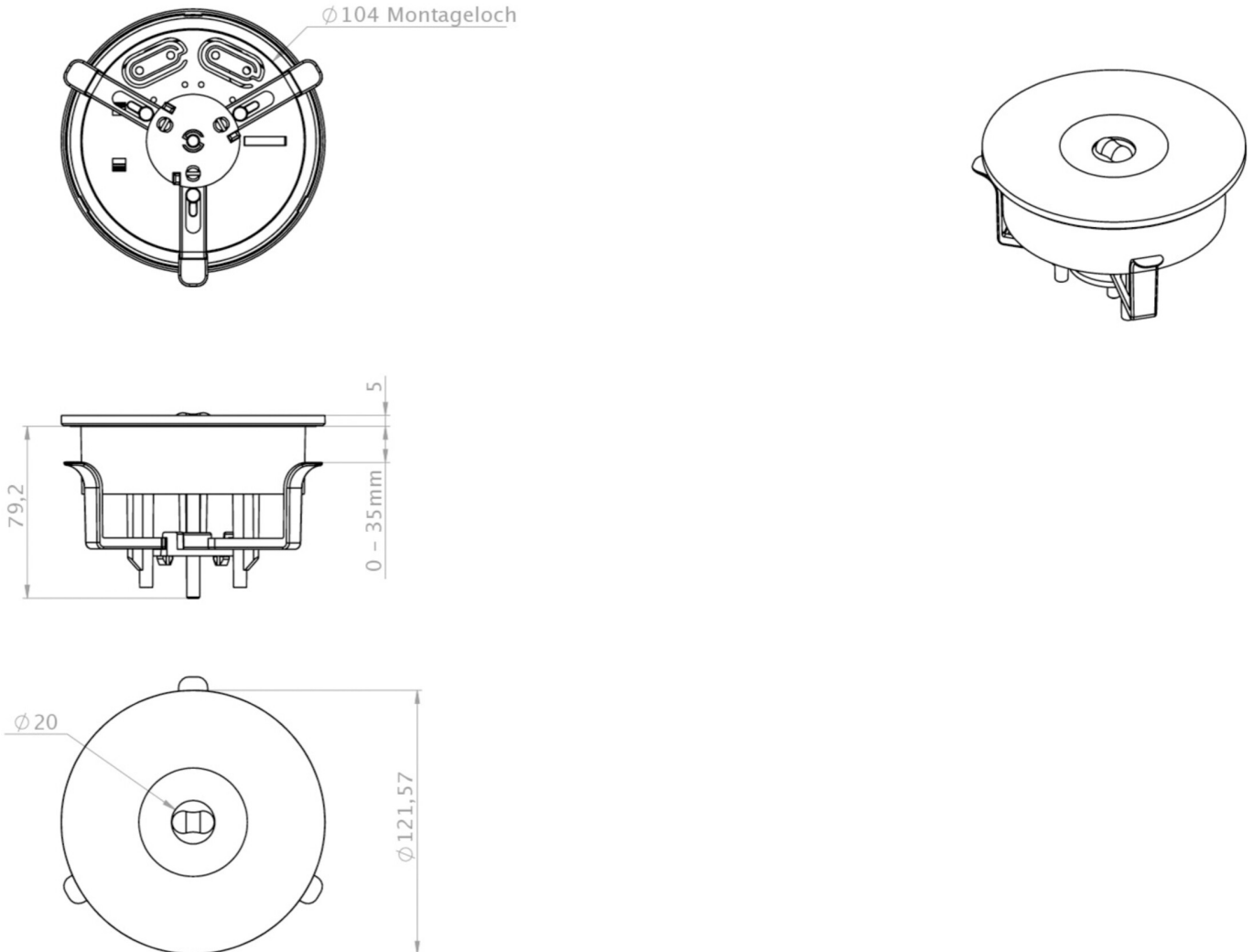
| | |
|------------------------|-------------------|
| Luminaire type | Emergency light |
| Mounting | Ceiling mounting |
| Pictograph | No |
| Illuminant | LED |
| Housing material | Polycarbonate |
| Housing color | White |
| Protection type (IP) | IP20 |
| Impact resistance (IK) | ≥ 3 |
| Certification | WEEE, CE |
| Insulation class | 2 |
| Supply | Self-contained |
| Monitoring | SelfControl (SC) |
| Bridging time | 1 h |
| Battery | NIMH 4,8 V/2,0 Ah |



| | |
|---|-----------------------------|
| Operating mode | Non-maintained / maintained |
| Input voltageAC | 230 V |
| Input frequency | 50 / 60 Hz |
| Power max. | 3,7 W |
| Power maintained | 1,8 W |
| Power non-maintained | 0,18 W |
| Ambient temperature maintained mode | -5 °C to 30 °C |
| Ambient temperature non-maintained mode | -5 °C to 40 °C |
| Height | 84 mm |
| Diameter | 122 mm |
| Installation height | 80 mm |
| Installation dimensions Diameter | 105 mm |
| Weight | 0.27 |
| Weight incl. packaging | 0.33 |
| Connection cross-section | 2.5 mm ² |
| Switching input | Yes |
| Emergency light blocking | No |
| Battery connection | Connector |
| Dimming function | Yes |
| Luminous flux mains | 110 lm |
| Luminous flux emergency | 240 lm |
| Customs tariff number | 94056120 |
| EAN | 4260581718640 |



TECHNICAL DRAWING



ACCESSORY LIST

BALLPLX-ILE - Wire mesh surround

ILE-OEF-PC -

As of: 17.05.2025 - Subject to technical changes and errors.