



Art.-Nr: ILES021WL
Emergency light Self-contained
Ceiling mounting, Wireless Professional (WL), 1 h, , IP20,
Polycarbonate, White

Discreet plastic safety luminaire for fitting in the ceiling, which integrates inconspicuously into the ceiling.

The in-ceiling housing is easy to mount; it is fastened at three points using a screw. Strain relief to hold the connection cables is already integrated.

The luminaire is connected to the mains in the in-ceiling housing. When closed, the luminaire is powered via contact plugs. This greatly simplifies mounting and makes convenient connection possible despite the small size of the luminaire.

Wireless central control and monitoring for large installations of up to 50,000 luminaires with Wireless Professional. The innovative integrated lens holder with a rapid fitting fixture permits the flexible use of various lens types. Using the right lens allows the distribution of light to be matched perfectly to the application and simplifies illumination which satisfies all relevant standards. A round lens and hall lens are supplied with every luminaire, allowing it to be adapted perfectly to the respective mounting situation. Other lenses, such as a spotlight lens, beam lens or H lens, are available as options.



More information
www.rp-group.com/en/item/ILES021WL



TECHNICAL DATA

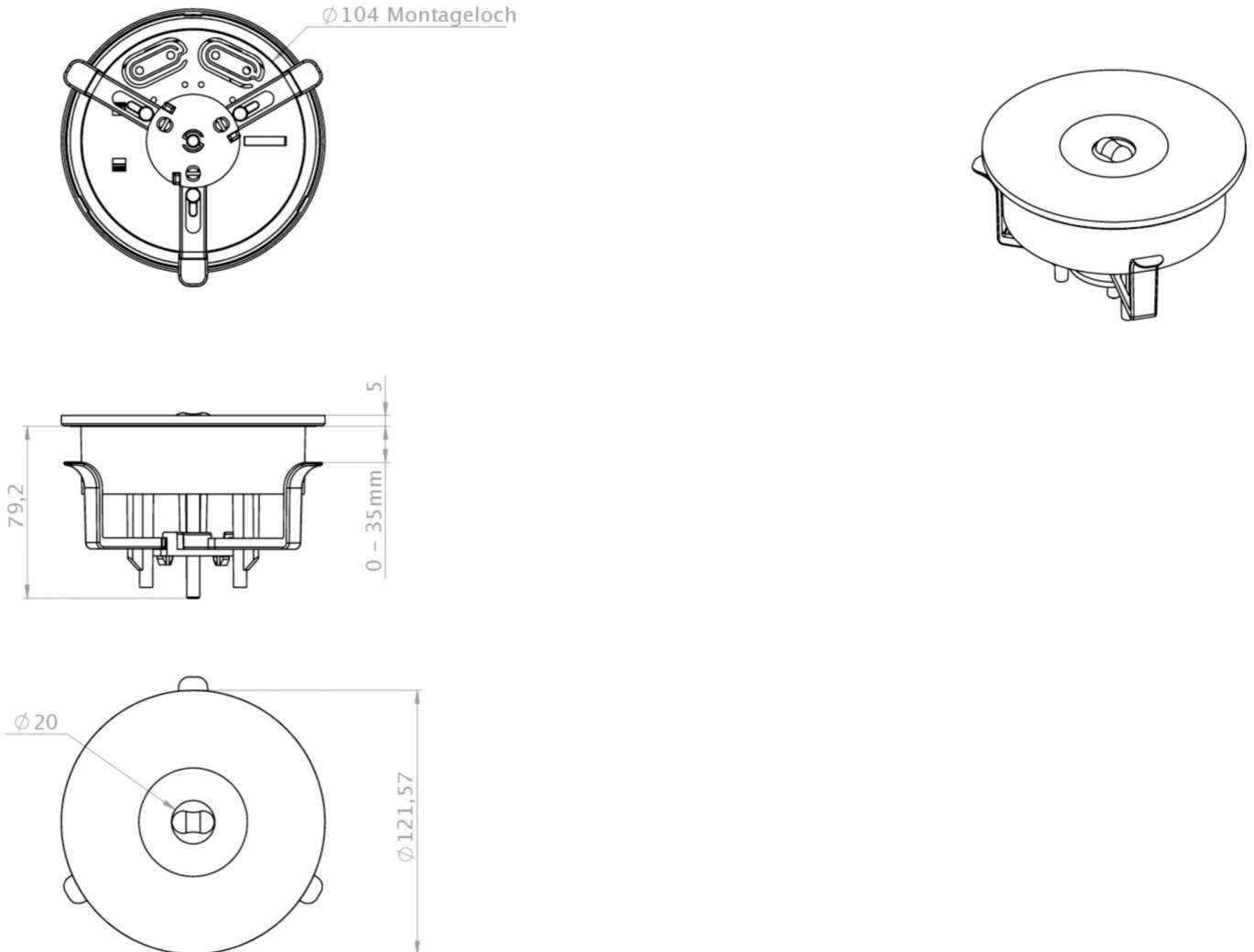
Luminaire type	Emergency light
Mounting	Ceiling mounting
Pictograph	No
Illuminant	LED
Housing material	Polycarbonate
Housing color	White
Protection type (IP)	IP20
Impact resistance (IK)	≥ 3
Certification	WEEE, CE
Insulation class	2
Supply	Self-contained
Monitoring	Wireless Professional (WL)
Bridging time	1 h



Battery	NIMH 4,8 V/2,0 Ah
Operating mode	Non-maintained / maintained
Input voltage AC	230 V
Input frequency	50 / 60 Hz
Power max.	4 W
Power maintained	2 W
Power non-maintained	0,4 W
Ambient temperature maintained mode	-5 °C to 30 °C
Ambient temperature non-maintained mode	-5 °C to 40 °C
Height	84 mm
Diameter	122 mm
Installation height	80 mm
Installation dimensions Diameter	105 mm
Weight	0.27
Weight incl. packaging	0.33
Connection cross-section	2.5 mm ²
Switching input	Yes
Emergency light blocking	No
Battery connection	Connector
Dimming function	Yes
Luminous flux mains	110 lm
Luminous flux emergency	240 lm
Customs tariff number	94056120
EAN	4260349825146



TECHNICAL DRAWING



ACCESSORY LIST

BALLPLX-ILE - Wire mesh surround

ILE-OEF-PC -

As of: 17.05.2025 - Subject to technical changes and errors.