



Exit sign Art.-No.: KCW011

Slightly curved high-grade exit sign and emergency luminaire in polycarbonate for wall mounting. Signage with pluggable, solvent-free, internally mounted pictogram. Pictogram set included. This luminaire can be used without pictogram as an emergency lighting luminaire with a clear cover. Escape route/Exit sign/ emergency luminaire according to EN 60598-1, EN 60598-2-22 and EN 1838 norms.



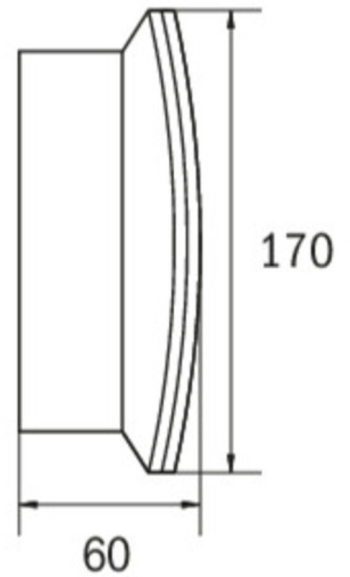
TECHNICAL DATA

| | |
|---|--------------------------------|
| Luminaire type | Exit sign |
| Mounting | Wall mounted |
| Viewing distance | 30 m |
| Pictograph | Set |
| Illuminant | LED |
| Housing material | Polycarbonate |
| Colour | RAL 9003 |
| Mechanical rating IP | 54 |
| Impact resistance IK | 6 |
| Protection class | 2 |
| Supply | Single battery |
| Monitoring | None |
| Operation time | 1 h |
| Battery | 4,8V/2,0Ah NiMH |
| Operation mode | maintained/non-maintained mode |
| Input Voltage AC | 230 V |
| Input Frequency Hz | 50 / 60 Hz |
| Power consumption max. | 6,1 W |
| Power consumption maintained | 4,5 W |
| Power consumption non-maintained | 0,35 W |
| Ambient temperature maintained mode | -5 °C / 40 °C |
| Ambient temperature non-maintained mode | -5 °C / 40 °C |
| Length | 60 mm |
| Width | 340 mm |



| | |
|------------------------------|---------------|
| Height | 170 mm |
| Weight | 0.82 kg |
| Weight incl. Packaging | 0.91 kg |
| Connection cross-section | 2.5 mm |
| Switching input L' | Yes |
| Emergency light blocking | Yes |
| Battery connector | Plug |
| Dimming function | Yes |
| Luminous flux mains mode | 220 lm |
| Luminous flux emergency mode | 300 lm |
| Customs tariff number | 94056120 |
| Country of origin | Germany |
| EAN | 4260682144478 |

TECHNICAL DRAWING





ACCESSORIES

- BALL2 - Ball protection (8W) 450x280x125mm
- DWKCW - ceiling bracket KC wall
- KC-IP65 - KC gasket IP65 EPDM
- KCER - KCW recessed frame
- KCW FH - flexible wall mounting for KCW