



Exit sign

Art.-No.: KCW011WL-IP64

Slightly curved high-grade exit sign and emergency luminaire in polycarbonate for wall mounting. Signage with pluggable, solvent-free, internally mounted pictogram. Pictogram set included. This luminaire can be used without pictogram as an emergency lighting luminaire with a clear cover. Escape route/Exit sign/ emergency luminaire according to EN 60598-1, EN 60598-2-22 and EN 1838 norms.



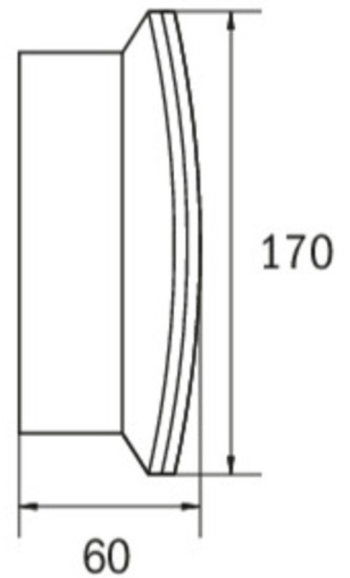
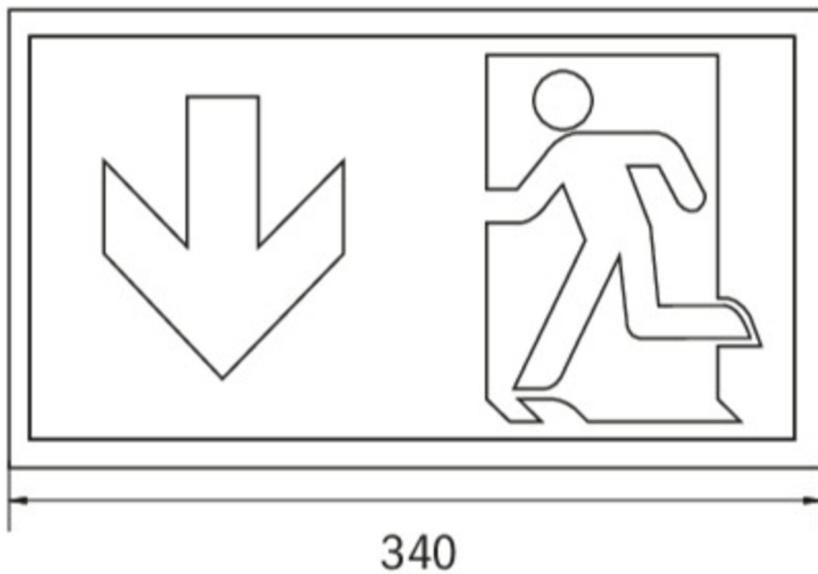
TECHNICAL DATA

| | |
|---|--------------------------------|
| Luminaire type | Exit sign |
| Mounting | Wall mounted |
| Viewing distance | 30 m |
| Pictograph | Set |
| Illuminant | LED |
| Housing material | Polycarbonate |
| Colour | RAL 9003 |
| Mechanical rating IP | 64 |
| Impact resistance IK | 6 |
| Protection class | 2 |
| Supply | Single battery |
| Monitoring | WL - Wireless Professional |
| Operation time | 1 h |
| Battery | 12V/0,8Ah NiMH |
| Operation mode | maintained/non-maintained mode |
| Input Voltage AC | 230 V |
| Input Frequency Hz | 50 / 60 Hz |
| Input Voltage DC | - V |
| Power consumption max. | 7,5 W |
| Power consumption maintained | 7,5 W |
| Power consumption non-maintained | 3,6 W |
| Ambient temperature maintained mode | -5 °C / 40 °C |
| Ambient temperature non-maintained mode | -5 °C / 40 °C |
| Length | 60 mm |



| | |
|------------------------------|---------------|
| Width | 340 mm |
| Height | 170 mm |
| Weight | 1 kg |
| Weight incl. Packaging | 1.09 kg |
| Connection cross-section | 2.5 mm |
| Switching input L' | Yes |
| Emergency light blocking | No |
| Battery connector | Clamp |
| Dimming function | Yes |
| Luminous flux mains mode | 150 lm |
| Luminous flux emergency mode | 150 lm |
| Customs tariff number | 94056120 |
| Coutry of origin | Germany |
| EAN | 4260659561048 |

TECHNICAL DRAWING





ACCESSORIES

BALL2 - Ball protection (8W) 450x280x125mm

DWKCW - ceiling bracket KC wall

KC-IP65 - KC gasket IP65 EPDM

KCER - KCW recessed frame

KCW FH - flexible wall mounting for KCW