

## ES/ER-Light wall, SB/3h, incl. picotset

Slightly curved high-grade exit sign and emergency luminaire in plastic for wall mounting. Signage with pluggable, solvent-free, internally mounted pictogram. Pictogram set included. This luminaire can be used without pictogram as an emergency lighting luminaire with a clear cover. Escape route/Exit sign/emergency luminaire according to EN 60598-1, EN 60598-2-22 and EN 1838 norms.

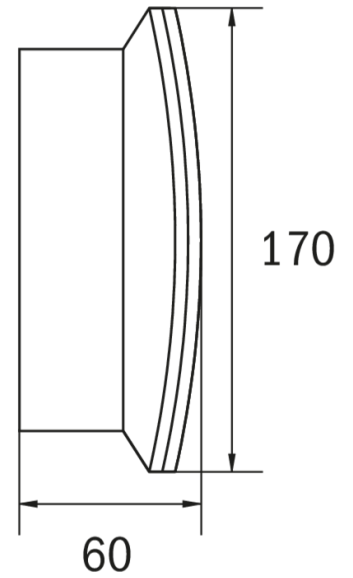
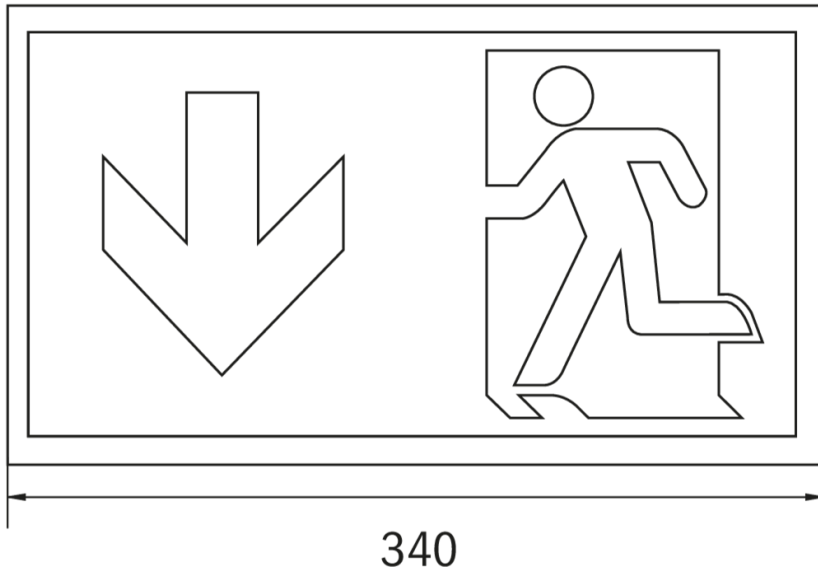
The COOL light is equipped with an external battery housing for installation in the building. The installation of the lamp can be done outdoors or in cold stores.



## Technical data

Luminaire type	Exit sign	Ambient temperature non-maintained mode	-25 °C / 40 °C
Mounting	Recessed wall	Length	60 mm
Viewing distance	30 m	Width	340 mm
Pictograph	Set	Height	170 mm
Illuminant	LED	Diameter	
Housing material	Plastic	Install. dim. length	
Colour	RAL 9003	Install. dim. width	
Mechanical rating IP	65	Install. dim. height	
Impact resistance IK	6	Install. dim. diameter	
Protection class	2	Weight	0.82 kg
Supply	Self-Contained	Weight incl. Packaging	0.91 kg
Monitoring	None	Connection cross-section	2.5 mm
Operation time	3 h	Switching input L'	Yes
Battery	4,8V/2,0Ah NiMH	Emergency light blocking	Yes
Operation mode	maintained/non-maintained mode	Battery connector	Plug
Input Voltage AC	230 V	Dimming function	Yes
Input Frequency Hz	50 / 60 Hz	Luminous flux mains mode	150 lm
Input Voltage DC	- V	Luminous flux emergency mode	150 lm
Power consumption max.	6,1 W		
Power consumption maintained	4,5 W		
Power consumption non-maintained	0,35 W		
Ambient temperature maintained mode	-25 °C / 40 °C	Customs tariff number	94056020
		Country of origin	DEUTSCHLAND
		EAN	4260581719135

## Technical drawing



## Accessory list

BALL2	Ball protection (8W) 450x280x125mm
DWKCW	ceiling bracket KC wall
KC-IP65	KC gasket IP65 EPDM
KCER	KCW recessed frame
KCWFH	flexible wall mounting for KCW

State of: 01 / 2020