



Exit sign/emergency luminaire Art.-No.: KCW019-COOL

Slightly curved high-grade exit sign and emergency luminaire in plastic for wall mounting. Signage with pluggable, solvent-free, internally mounted pictogram. Pictogram set included. This luminaire can be used without pictogram as an emergency lighting luminaire with a clear cover. Escape route/Exit sign/ emergency luminaire according to EN 60598-1, EN 60598-2-22 and EN 1838 norms.

The COOL light is equipped with an external battery housing for installation in the building. The installation of the lamp can be done outdoors or in cold stores.



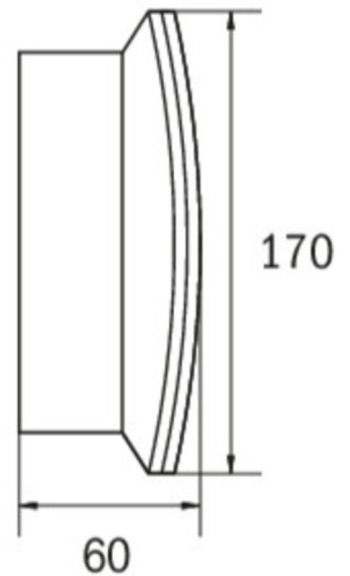
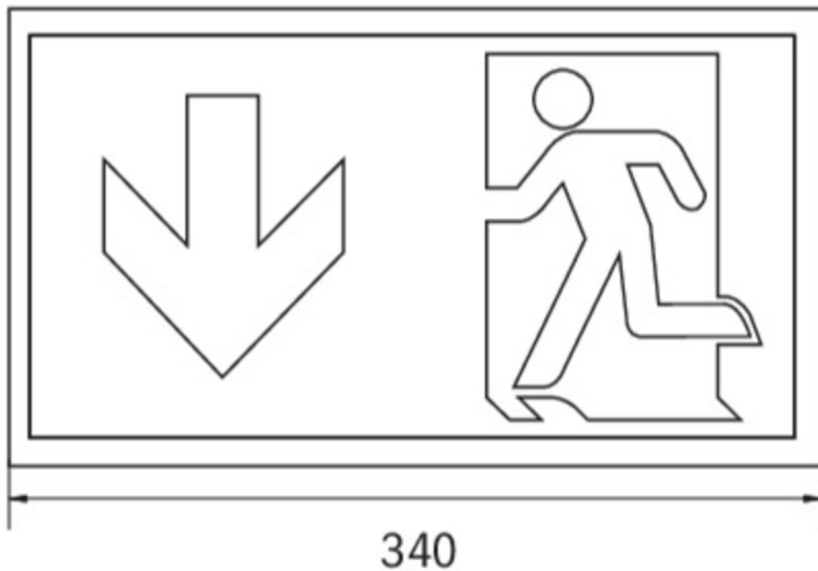
TECHNICAL DATA

Luminaire type	Exit sign / ER-light
Mounting	Recessed wall
Viewing distance	30 m
Pictograph	Set
Illuminant	LED
Housing material	Polycarbonate
Colour	RAL 9003
Mechanical rating IP	64/20
Impact resistance IK	6
Protection class	2
Supply	Central power supply system
Monitoring	None
Operation time	CPS
Operation mode	Maintained mode
Input Voltage AC	230 V
Input Frequency Hz	50 / 60 Hz
Input Voltage DC	100-254 V
Power consumption max.	4,5 W
Power consumption maintained	4,5 W
Power consumption non-maintained	0 W
Ambient temperature maintained mode	-25 °C / 40 °C
Ambient temperature non-maintained mode	-25 °C / 40 °C



Length	60 mm
Width	340 mm
Height	170 mm
Weight	0.67 kg
Weight incl. Packaging	0.76 kg
Connection cross-section	1.5 mm
Switching input L'	No
Emergency light blocking	No
Battery connector	None
Dimming function	No
Luminous flux mains mode	300 lm
Luminous flux emergency mode	300 lm
Customs tariff number	94056120
Country of origin	Germany
EAN	4260659561925

TECHNICAL DRAWING





ACCESSORIES

BALL2 - Ball protection (8W) 450x280x125mm

DWKCW - ceiling bracket KC wall

KC-IP65 - KC gasket IP65 EPDM

KCER - KCW recessed frame

KCW FH - flexible wall mounting for KCW