



## Exit sign Art.-No.: KCW413WL

Slightly curved high-grade exit sign and emergency luminaire in polycarbonate for wall mounting. Signage with pluggable, solvent-free, internally mounted pictogram. Pictogram set included. This luminaire can be used without pictogram as an emergency lighting luminaire with a clear cover. Escape route/Exit sign/ emergency luminaire according to EN 60598-1, EN 60598-2-22 and EN 1838 norms.



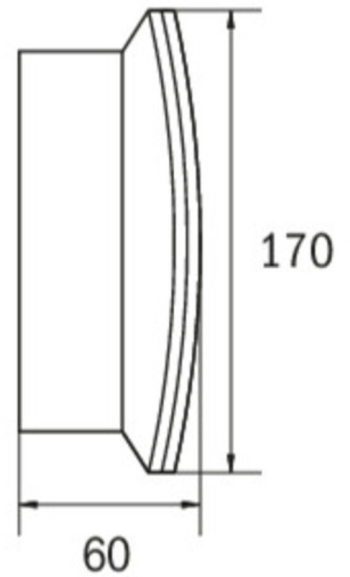
### TECHNICAL DATA

Luminaire type	Exit sign
Mounting	Wall mounted
Viewing distance	30 m
Pictograph	Set
Illuminant	LED
Housing material	Polycarbonate
Colour	RAL 9003
Mechanical rating IP	54
Impact resistance IK	6
Protection class	2
Supply	Single battery
Monitoring	WL - Wireless Professional
Operation time	3 h
Battery	6.4V/1.2Ah LiFeP04
Operation mode	maintained/non-maintained mode
Input Voltage AC	230 V
Input Frequency Hz	50 Hz
Power consumption max.	5,3 W
Power consumption maintained	4,3 W
Power consumption non-maintained	0,7 W
Ambient temperature maintained mode	-5 °C / 40 °C
Ambient temperature non-maintained mode	-5 °C / 40 °C
Length	60 mm
Width	340 mm



Height	170 mm
Weight	0.84 kg
Weight incl. Packaging	0.93 kg
Connection cross-section	2.5 mm
Switching input L'	Yes
Emergency light blocking	No
Battery connector	Plug
Dimming function	Yes
Luminous flux mains mode	305 lm
Luminous flux emergency mode	180 lm
Customs tariff number	94056120
Country of origin	Germany
EAN	4260766552175

## TECHNICAL DRAWING





## ACCESSORIES

BALL2 - Ball protection (8W) 450x280x125mm

DWKCW - ceiling bracket KC wall

KC-IP65 - KC gasket IP65 EPDM

KCER - KCW recessed frame

KCWFH - flexible wall mounting for KCW