



Emergency luminaire Art.-No.: KCW421WL

Slightly curved high-grade exit sign and emergency luminaire in polycarbonate for wall mounting. Signage with pluggable, solvent-free, internally mounted pictogram. Pictogram set included. This luminaire can be used without pictogram as an emergency lighting luminaire with a clear cover. Escape route/Exit sign/ emergency luminaire according to EN 60598-1, EN 60598-2-22 and EN 1838 norms.



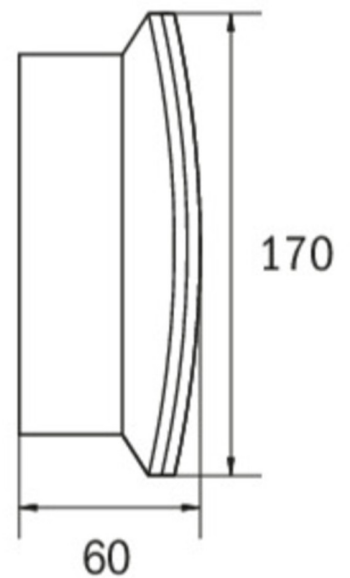
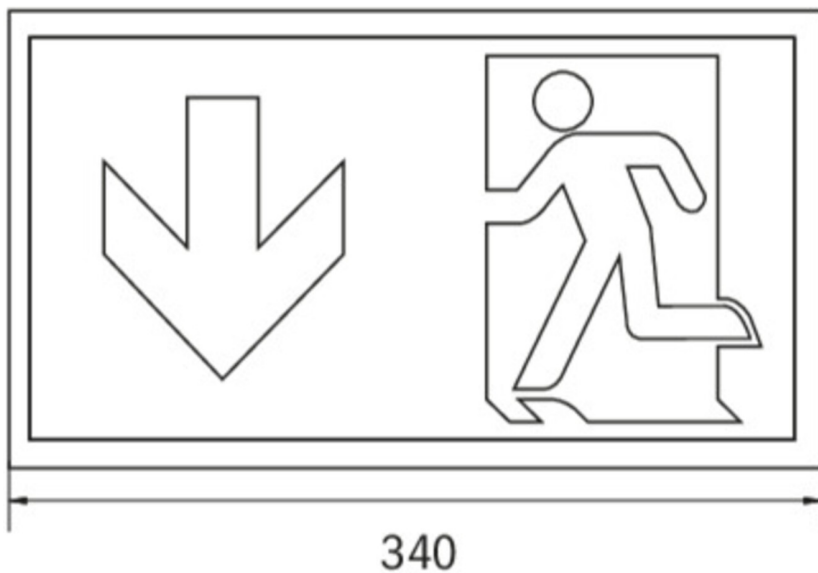
TECHNICAL DATA

| | |
|---|--------------------------------|
| Luminaire type | Emergency luminaire |
| Mounting | Universal |
| Pictograph | Set |
| Illuminant | LED |
| Housing material | Polycarbonate |
| Colour | RAL 9003 |
| Mechanical rating IP | 54 |
| Impact resistance IK | 6 |
| Protection class | 2 |
| Supply | Single battery |
| Monitoring | WL - Wireless Professional |
| Operation time | 1 h |
| Battery | 6.4V/1.2Ah LiFeP04 |
| Operation mode | maintained/non-maintained mode |
| Input Voltage AC | 230 V |
| Input Frequency Hz | 50 Hz |
| Power consumption max. | 7,5 W |
| Power consumption maintained | 5,7 W |
| Power consumption non-maintained | 0,8 W |
| Ambient temperature maintained mode | -5 °C / 40 °C |
| Ambient temperature non-maintained mode | -5 °C / 40 °C |



| | |
|------------------------------|---------------|
| Length | 60 mm |
| Width | 340 mm |
| Height | 170 mm |
| Weight | 0.87 kg |
| Weight incl. Packaging | 0.96 kg |
| Connection cross-section | 2.5 mm |
| Switching input L' | Yes |
| Emergency light blocking | No |
| Battery connector | Plug |
| Dimming function | Yes |
| Luminous flux mains mode | 520 lm |
| Luminous flux emergency mode | 460 lm |
| Customs tariff number | 94056120 |
| Country of origin | Germany |
| EAN | 4260766552199 |

TECHNICAL DRAWING





ACCESSORIES

| | |
|-------------------|---|
| BALL2 | - Ball protection (8W) 450x280x125mm |
| DWKCW | - ceiling bracket KC wall |
| KC-IP65 | - KC gasket IP65 EPDM |
| KCER | - KCW recessed frame |
| KCWFH | - flexible wall mounting for KCW |
| LSYS-B4 | - 4x Beam lens for lights with a lens system, for |
| LSYS-F4 | - 4x corridor lenses for luminaires with lens |
| LSYS-H4 | - 4x h-lenses for luminaires with lens |
| LSYS-R4 | - 4x round lenses for luminaires with lens |
| LSYS-S4 | - 4x Spotlens for luminaires with lens system. |
| LFP3233-SET-2AKKU | - |