



Emergency luminaire Art.-No.: KCW428WL

Slightly curved high-grade exit sign and emergency luminaire in polycarbonate for wall mounting. Signage with pluggable, solvent-free, internally mounted pictogram. Pictogram set included. This luminaire can be used without pictogram as an emergency lighting luminaire with a clear cover. Escape route/Exit sign/ emergency luminaire according to EN 60598-1, EN 60598-2-22 and EN 1838 norms.



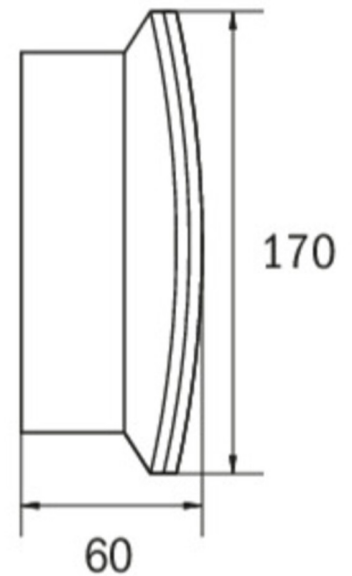
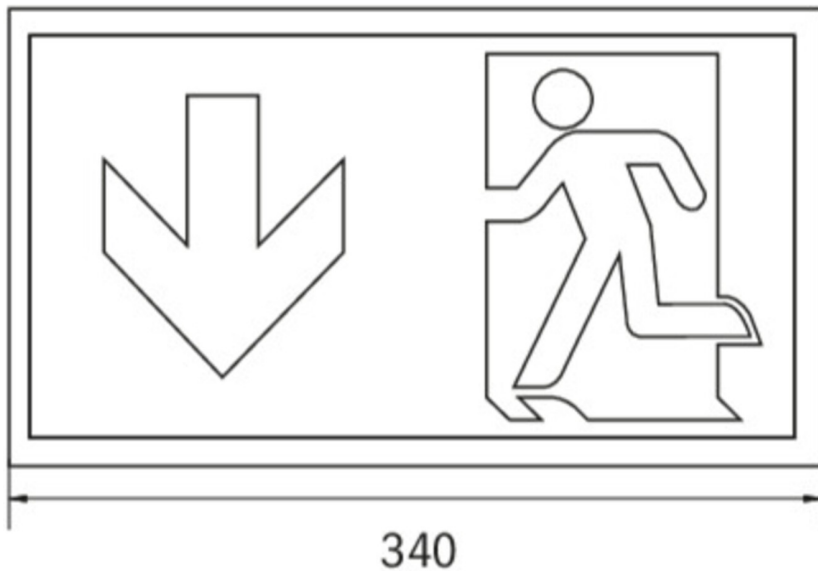
TECHNICAL DATA

Luminaire type	Emergency luminaire
Mounting	Universal
Pictograph	No
Illuminant	LED
Housing material	Polycarbonate
Colour	RAL 9003
Mechanical rating IP	54
Impact resistance IK	6
Protection class	2
Supply	Single battery
Monitoring	WL - Wireless Professional
Operation time	8 h
Battery	6.4V/3.3Ah LiFeP04
Operation mode	maintained/non-maintained mode
Input Voltage AC	230 V
Input Frequency Hz	50 Hz
Power consumption max.	7,5 W
Power consumption maintained	5,7 W
Power consumption non-maintained	0,8 W
Ambient temperature maintained mode	-5 °C / 40 °C
Ambient temperature non-maintained mode	-5 °C / 40 °C



Length	60 mm
Width	340 mm
Height	170 mm
Weight	0.88 kg
Weight incl. Packaging	0.97 kg
Connection cross-section	2.5 mm
Switching input L'	Yes
Emergency light blocking	No
Battery connector	Plug
Dimming function	Yes
Luminous flux mains mode	250 lm
Luminous flux emergency mode	245 lm
Customs tariff number	94056120
Country of origin	Germany
EAN	4260766552212

TECHNICAL DRAWING





ACCESSORIES

BALL2	- Ball protection (8W) 450x280x125mm
DWKCW	- ceiling bracket KC wall
KC-IP65	- KC gasket IP65 EPDM
KCER	- KCW recessed frame
KCWFH	- flexible wall mounting for KCW
LSYS-B4	- 4x Beam lens for lights with a lens system, for
LSYS-F4	- 4x corridor lenses for luminaires with lens
LSYS-H4	- 4x h-lenses for luminaires with lens
LSYS-R4	- 4x round lenses for luminaires with lens
LSYS-S4	- 4x Spotlens for luminaires with lens system.
LFP3233-SET-2AKKU	-