



## Exit sign

**Art.-No.: KDU011WL**

Slim design high-grade plastic luminaire for universal mounting (wall/ ceiling or eventual at wall bracket through supplied adapter). This luminaire provides additional downward lighting to enhance safety at the egress route.

Applicable for maintained or non-maintained operation mode. Improved reliability through being easy to install and the universal use of pictograms. Signs according to EN 60598-1, EN 60598-2-22 and EN 1838 norms.



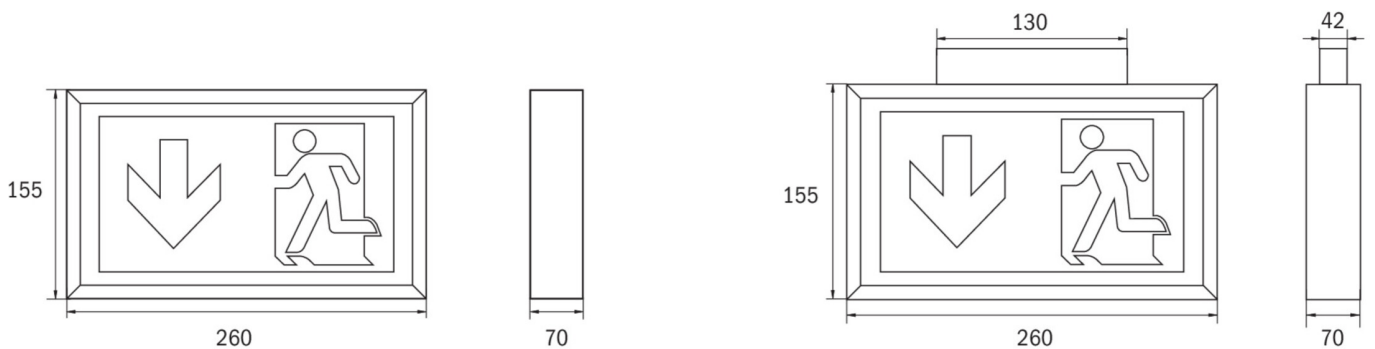
## TECHNICAL DATA

Luminaire type	Exit sign
Mounting	Universal
Viewing distance	22 m
Pictograph	Set
Illuminant	LED
Housing material	Polycarbonate
Colour	RAL 9003
Mechanical rating IP	43
Impact resistance IK	3
Protection class	2
Supply	Single battery
Monitoring	WL - Wireless Professional
Operation time	1 h
Battery	12V/0,8Ah NiMH
Operation mode	maintained/non-maintained mode
Input Voltage AC	230 V
Input Frequency Hz	50 / 60 Hz
Input Voltage DC	- V
Power consumption max.	7,5 W
Power consumption maintained	7,5 W
Power consumption non-maintained	3,6 W
Ambient temperature maintained mode	-5 °C / 40 °C
Ambient temperature non-maintained mode	-5 °C / 40 °C
Length	70 mm



Width	260 mm
Height	155 mm
Weight	1 kg
Weight incl. Packaging	1.2 kg
Connection cross-section	2.5 mm
Switching input L'	Yes
Emergency light blocking	No
Battery connector	Clamp
Dimming function	Yes
Luminous flux mains mode	150 lm
Luminous flux emergency mode	150 lm
Customs tariff number	94056120
Country of origin	Germany
EAN	4260581719517

## TECHNICAL DRAWING



## ACCESSORIES

- DSA - cord suspension set 1,5m
- BALL1 - Ball protection (6W) 320x220x120mm
- 2PW-EB -
- 2DW-EB -
- BALLPLX-KD - Ball protection 380x280x100mm incl. fastening