



Exit sign

Art.-No.: KDU519CC

Slim design high-grade plastic luminaire for universal mounting (wall/ ceiling or eventual at wall bracket through supplied adapter). This luminaire provides additional downward lighting to enhance safety at the egress route.

Applicable for maintained or non-maintained operation mode. Improved reliability through being easy to install and the universal use of pictograms.

Signs according to EN 60598-1, EN 60598-2-22 and EN 1838 norms.



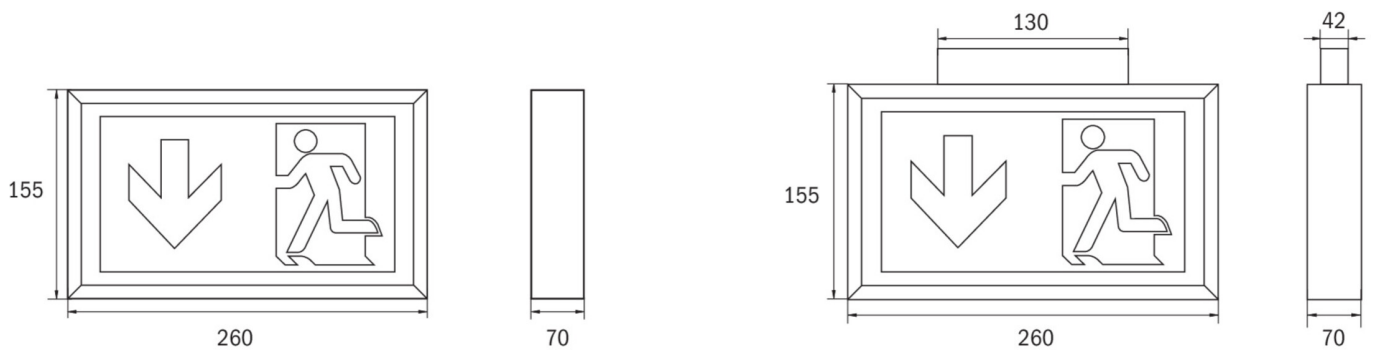
TECHNICAL DATA

Luminaire type	Exit sign
Mounting	Universal
Viewing distance	22 m
Pictograph	Set
Illuminant	LED
Housing material	Polycarbonate
Colour	RAL 9003
Mechanical rating IP	43
Impact resistance IK	3
Protection class	3
Supply	Central power supply system
Monitoring	CC - CoreCompact 24V
Operation time	CPS
Operation mode	maintained/non-maintained mode
Input Voltage AC	24 V
Power consumption max.	3,6 W
Power consumption maintained	3,6 W
Power consumption non-maintained	0,4 W
Ambient temperature maintained mode	-5 °C / 40 °C
Ambient temperature non-maintained mode	-5 °C / 40 °C
Length	70 mm
Width	260 mm
Height	155 mm
Weight	0.63 kg



Weight incl. Packaging	0.83 kg
Connection cross-section	2.5 mm
Switching input L'	No
Emergency light blocking	No
Battery connector	None
Luminous flux mains mode	340 lm
Luminous flux emergency mode	340 lm
Customs tariff number	94056120
Country of origin	Germany
EAN	4260682157379

TECHNICAL DRAWING



ACCESSORIES

- DSA - cord suspension set 1,5m
- BALL1 - Ball protection (6W) 320x220x120mm
- 2PW-EB -
- 2DW-EB -
- BALLPLX-KD - Ball protection 380x280x100mm incl. fastening