



Exit sign Art.-No.: KLU013WL

Slim design high-grade plastic luminaire for universal mounting (wall/ ceiling or as wall bracket with the included adapter). This luminaire provides additional downwards lighting to enhance safety at the egress route. Applicable for maintained or non-maintained operation mode. The easy to install and universally useable pictograms provide planning security. Signs according to EN 60598-1, EN 60598-2-22 and EN 1838 norms.



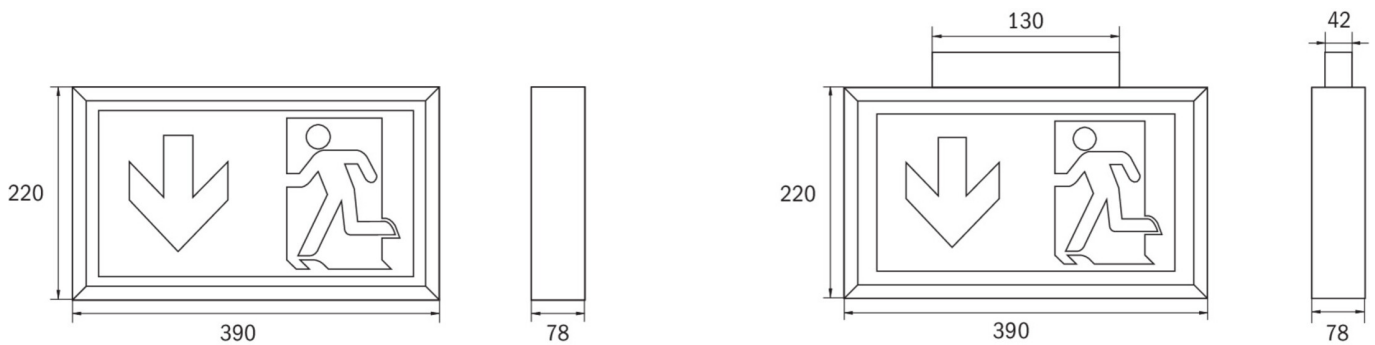
TECHNICAL DATA

Luminaire type	Exit sign
Mounting	Universal
Viewing distance	34 m
Pictograph	Set
Illuminant	LED
Housing material	Polycarbonate
Colour	RAL 9003
Mechanical rating IP	43
Impact resistance IK	≥ 3
Protection class	2
Supply	Single battery
Monitoring	WL - Wireless Professional
Operation time	3 h
Battery	12V/0,8Ah NiMH
Operation mode	maintained/non-maintained mode
Input Voltage AC	230 V
Input Frequency Hz	50 / 60 Hz
Input Voltage DC	- V
Power consumption max.	7,5 W
Power consumption maintained	7,5 W
Power consumption non-maintained	3,6 W
Ambient temperature maintained mode	-5 °C / 40 °C
Ambient temperature non-maintained mode	-5 °C / 40 °C
Length	78 mm



Width	390 mm
Height	220 mm
Weight	1.57 kg
Weight incl. Packaging	1.73 kg
Connection cross-section	2.5 mm
Switching input L'	Yes
Emergency light blocking	No
Battery connector	Clamp
Dimming function	Yes
Luminous flux mains mode	150 lm
Luminous flux emergency mode	150 lm
Customs tariff number	94056120
Country of origin	Germany
EAN	4260123689889

TECHNICAL DRAWING



ACCESSORIES

- DSA - cord suspension set 1,5m
- BALL2 - Ball protection (8W) 450x280x125mm
- 2PW-EB -
- 2DW-EB -