



## Exit sign Art.-No.: KSH019ML

Innovative polycarbonate edge LED luminaire for universal mounting. Using only 3 parts this luminaire has a simple installation.  
Applicable for maintained or non-maintained operation mode. The toolless change and variable use of the pictograms provide planning security.  
Universal pictogram set (left, right, up, down) included. Exit sign according to EN 60598-1, EN 605982-22 and EN 1838 norms.



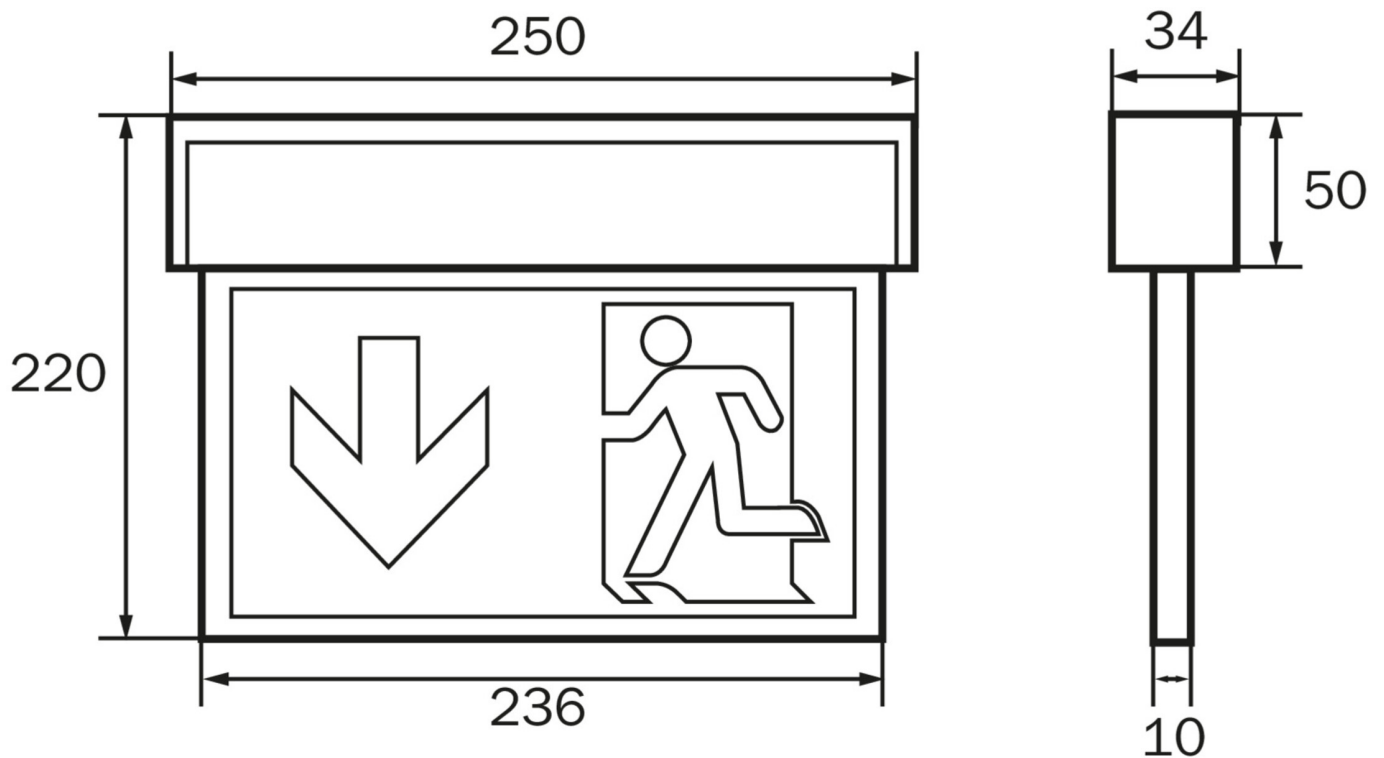
### TECHNICAL DATA

Luminaire type	Exit sign
Mounting	Universal
Viewing distance	30 m
Pictograph	Set
Illuminant	LED
Housing material	Polycarbonate
Colour	RAL 9003
Mechanical rating IP	54
Impact resistance IK	≥ 3
Protection class	2
Supply	Central power supply system
Monitoring	ML - Central power supply system
Operation time	CPS
Operation mode	single luminaire switching
Input Voltage AC	230 V
Input Frequency Hz	50 / 60 Hz
Input Voltage DC	216 V
Power consumption max.	3,2 W
Power consumption maintained	3,2 W
Power consumption non-maintained	1 W
Ambient temperature maintained mode	-30 °C / 40 °C
Ambient temperature non-maintained mode	-30 °C / 40 °C
Length	34 mm
Width	250 mm



Height	174 mm
Weight	0.62 kg
Weight incl. Packaging	0.7 kg
Connection cross-section	2.5 mm
Switching input L'	No
Emergency light blocking	No
Battery connector	None
Dimming function	Yes
Luminous flux mains mode	220 lm
Luminous flux emergency mode	220 lm
Customs tariff number	94056120
Country of origin	Germany
EAN	4260659562113

## TECHNICAL DRAWING





## ACCESSORIES

- DSA - cord suspension set 1,5m
- KME-EB - KM recessed frame with test button (SB)
- AWKSU - Wall bracket short 60x47mm, white
- 2PW-EB -
- KMBE - concrete recessed housing