



Art.-Nr: LXD019ML
Exit sign Centralised power supply systems
Recessed mounting, Central power supply (ML), CPS, 34 m,
IP40, Aluminium, Anodised aluminium

Robust emergency exit sign luminaire made from slim aluminium profile, for ceiling mounting. Suited to inscription on one or two sides.

The additional downward light emission helps to illuminate emergency and escape routes.

Control and monitoring via central power supply system. Planning certainty is provided by tool-free, variable use of the pictograms on site. A set of pictograms corresponding to DIN ISO 7010 (arrow to the right, left, up and down) is supplied as standard.



More information
www.rp-group.com/en/item/LXD019ML



TECHNICAL DATA

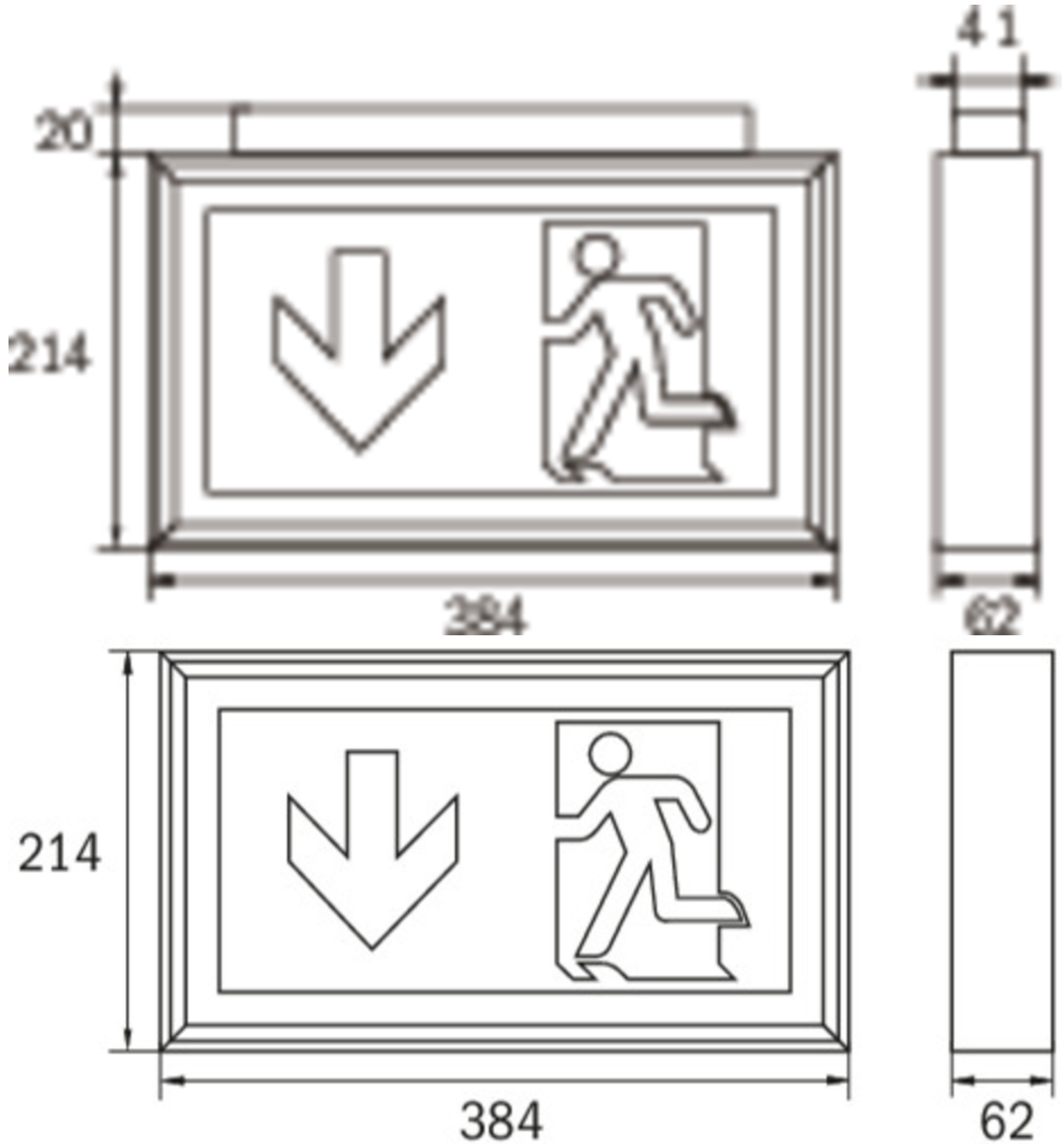
Luminaire type	Exit sign
Mounting	Recessed mounting
Recognition distance	34 m
Pictograph	Set
Illuminant	LED
Housing material	Aluminium
Housing color	Anodised aluminium
Protection type (IP)	IP40
Impact resistance (IK)	3
Certification	WEEE, CE
Insulation class	1
Supply	Centralised power supply systems
Monitoring	Central power supply (ML)
Bridging time	CPS
Battery	/
Operating mode	single luminaire switching
Input voltageAC	230 V
Input frequency	50 / 60 Hz



Input voltage DC	216 V
Power max.	5,2 W
Power DS	5,2 W
Power BS	1,1 W
Ambient temperature DS	-20 °C to 40 °C
Ambient temperature BS	-20 °C to 40 °C
Depth	62 mm
Width	384 mm
Height	214 mm
Weight	1.29
Weight incl. packaging	1.49
Connection cross-section	2.5 mm ²
Switching input	Yes
Emergency light blocking	No
Battery connection	No
Dimming function	Yes
Luminous flux mains	300 lm
Luminous flux emergency	300 lm
Customs tariff number	94056180
EAN	4260123681876



TECHNICAL DRAWING





ACCESSORY LIST

DSA - Wire suspension

2PS-EB - Pendant

2DS-EB -

RELATED PRODUCTS

Art.-No.	Image	Monitoring	Supply	Color	Investment	Automatic log	Maintenance level	Remote maintenance	max. luminaires	Single luminaire monitoring
----------	-------	------------	--------	-------	------------	---------------	-------------------	--------------------	-----------------	-----------------------------

As of: 20.12.2024 - Subject to technical changes and errors.