



Art.-No.: MI102 microControl plus LPS, 1xDCM, CCIF, SAM

MAX. 6 MAINS CIRCUITS / 500 W, 1H / 120 LUMINAIRES

The microControl plus is a decentralized power supply system with limited power (Low Power system) up to 500 W.

By decentralising the systems, similar to a self-contained system, per fire compartment reduces costs because no expensive E30-powerlines acc. to MLAR 2005 and their installation are needed.

Batteries are not included and have to be ordered separately.



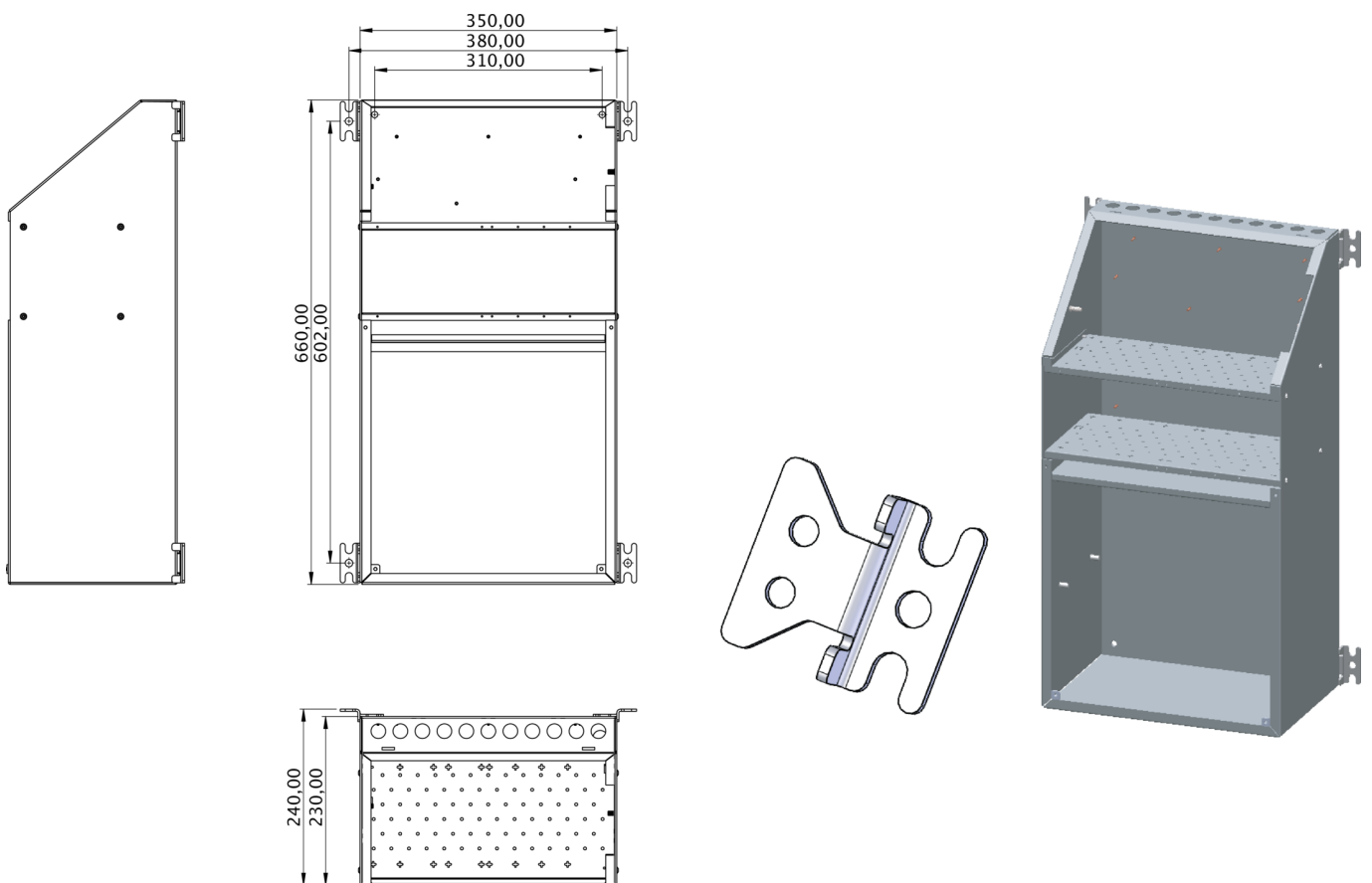
TECHNICAL DATA

Slots 19"	4
No. of included mains circuits	2
Charging unit included	Yes
SAM module included	Yes
IO module included	Yes
CCIF included	Yes
Networked	Yes
Conncection Substation/Subdistribution	No
Battery compartment included	Yes
Max. load 1h	500 W
Max. load 3h	200 W
Max. load 8h	80 W
Input Voltage AC	230 V
Input Frequency Hz	50 / 60 Hz
Output voltage AC	230 V
Output voltage DC	216 V
Material	Steel sheet
Colour	RAL 7035



Mechanical rating IP	20
Protection class	1
Length	230 mm
Width	350 mm
Height	660 mm
Customs tariff number	85371098
Country of origin	Germany

TECHNICAL DRAWING



ACCESSORIES

- DCM12E - electric circuit unit DCM 2 x circuit 3A (T5A)
- MCT15S - remote display, LCD-plaintext, BUS-connection
- PRUEFBUCH-BELEUCHTUNGSANLAGEN - Test book for safety lighting systems
- MCT15 - remote display, LCD-plaintext, BUS-connection

State: 25.03.2024 - Subject to technical changes