



Art.-Nr: MMD009ML
Exit sign Centralised power supply systems
Recessed mounting, Central power supply (ML), CPS, 21 m,
IP40, Zinc die-cast, white

Slim, high-quality, zinc die-cast emergency exit sign luminaire with a modern design for ceiling mounting. Suited to inscription on one or two sides.

Control and monitoring via central power supply system. Planning certainty is provided by tool-free, variable use of the pictograms on site. A set of pictograms corresponding to DIN ISO 7010 (arrow to the right, left, up and down) is supplied as standard.



More information

www.rp-group.com/en/item/MMD009ML



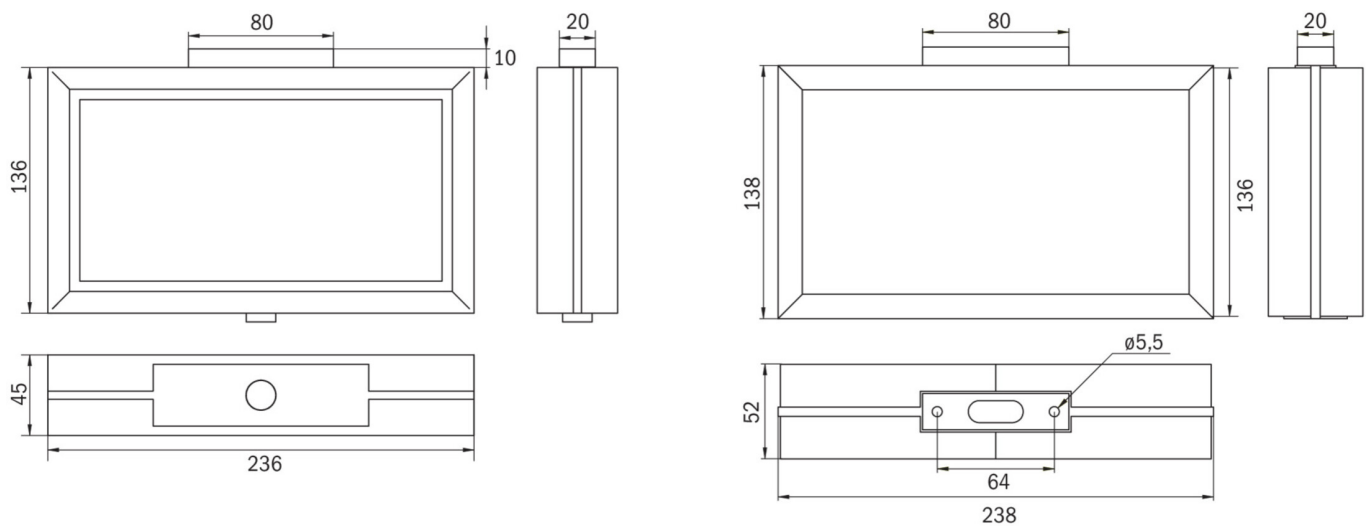
TECHNICAL DATA

Luminaire type	Exit sign
Mounting	Recessed mounting
Recognition distance	21 m
Pictograph	Set
Housing material	Zinc die-cast
Housing color	white
Protection type (IP)	IP40
Impact resistance (IK)	≥ 3
Certification	WEEE, CE
Insulation class	1
Supply	Centralised power supply systems
Monitoring	Central power supply (ML)
Bridging time	CPS
Battery	/
Operating mode	single luminaire switching
Input voltage AC	230 V
Input frequency	50 / 60 Hz
Input voltage DC	216 V
Power max.	5,2 W
Power DS	5,2 W



Power BS	1,1 W
Ambient temperature DS	-20 °C to 40 °C
Ambient temperature BS	-20 °C to 40 °C
Depth	52 mm
Width	236 mm
Height	138 mm
Weight	0.07
Weight incl. packaging	0.185
Connection cross-section	2.5 mm ²
Switching input	Yes
Emergency light blocking	No
Battery connection	No
Dimming function	Yes
Customs tariff number	94056180
EAN	4260659562892

TECHNICAL DRAWING



MMD

MMD_IP65



RELATED PRODUCTS

Art.-No.	Image	Monitoring	Supply	Color	Investment	Automatic log	Maintenance level	Remote maintenance	max. luminaires	Single luminaire monitoring
MMD009ML-AZ		Central power supply (ML)	Central power supply	RAL 7016	€€€	Yes	low	Yes	1,920 per system	central
MMDT009ML		Central power supply (ML)	Central power supply	RAL 9003	€€€	Yes	low	Yes	1,920 per system	central
MMDT009ML-AZ		Central power supply (ML)	Central power supply	RAL 7016	€€€	Yes	low	Yes	1,920 per system	central

As of: 22.01.2025 - Subject to technical changes and errors.