



Exit sign

Art.-No.: MMW008SC-AZ

The advantages of the LED combined with a compact shape come together to a modern design. The high quality slim body is made from zinc-aluminium die-cast. The variable use and toolless change of pictograms provides planning security on site.

LED escape route luminaire in accordance with DIN EN 60598-1, EN 60598-2-22, EN ISO 7010 and DIN EN 1838.

Optional with DUO-LED for additional light output downwards.



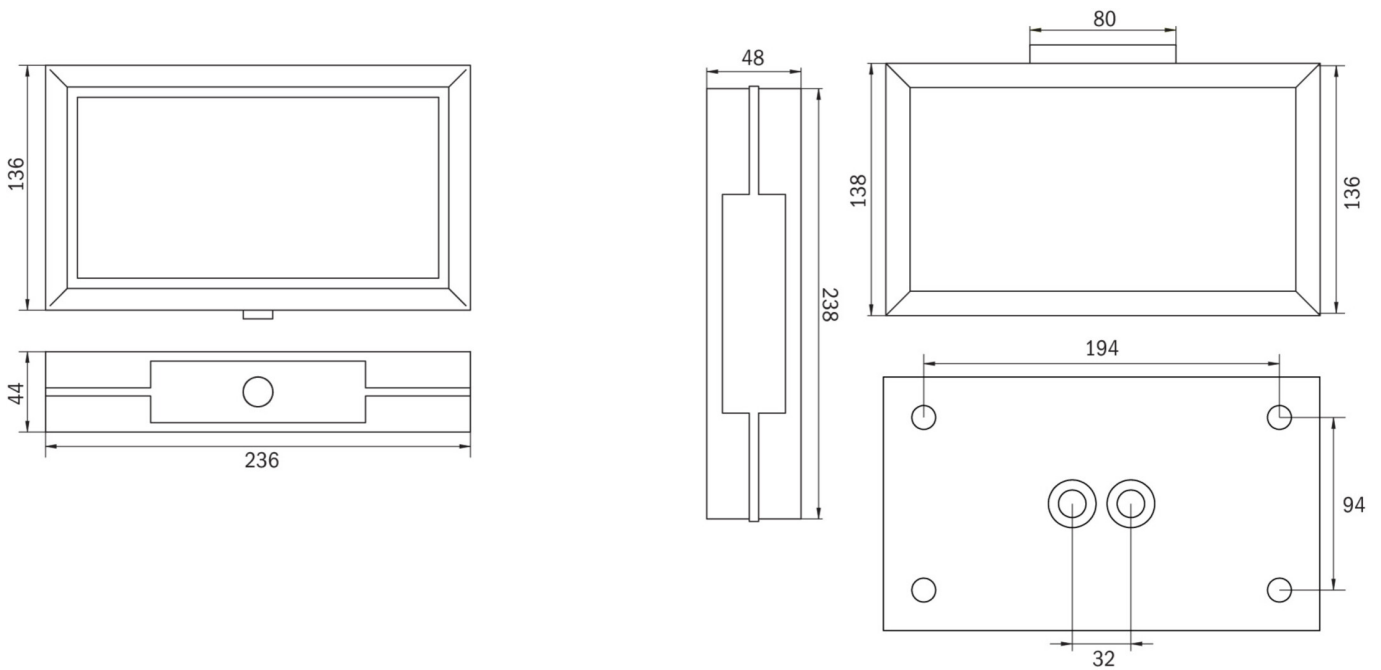
TECHNICAL DATA

Luminaire type	Exit sign
Mounting	Wall mounted
Viewing distance	21 m
Pictograph	Set
Illuminant	LED
Housing material	Zinc die-cast
Colour	RAL 7016
Mechanical rating IP	40
Impact resistance IK	≥ 3
Protection class	1
Supply	Single battery
Monitoring	Self-Control
Operation time	8 h
Battery	4,8V/2,0Ah NiMH
Operation mode	maintained/non-maintained mode
Input Voltage AC	230 V
Input Frequency Hz	50 / 60 Hz
Power consumption max.	4,2 W
Power consumption maintained	4,2 W
Power consumption non-maintained	0,35 W
Ambient temperature maintained mode	-5 °C / 40 °C
Ambient temperature non-maintained mode	-5 °C / 40 °C
Length	48 mm



Width	236 mm
Height	148 mm
Weight	0.19 kg
Weight incl. Packaging	0.19 kg
Connection cross-section	2.5 mm
Switching input L'	Yes
Emergency light blocking	Yes
Battery connector	Plug
Dimming function	Yes
Customs tariff number	94056180
Coutry of origin	Germany
EAN	4260659563004

TECHNICAL DRAWING



MMW_IP65