



## Exit sign Art.-No.: MMW009-AZ

The advantages of the LED combined with a compact shape come together to a modern design. The high quality slim body is made from zinc-aluminium die-cast. The variable use and toolless change of pictograms provides planning security on site.

LED escape route luminaire in accordance with DIN EN 60598-1, EN 60598-2-22, EN ISO 7010 and DIN EN 1838.

Optional with DUO-LED for additional light output downwards.



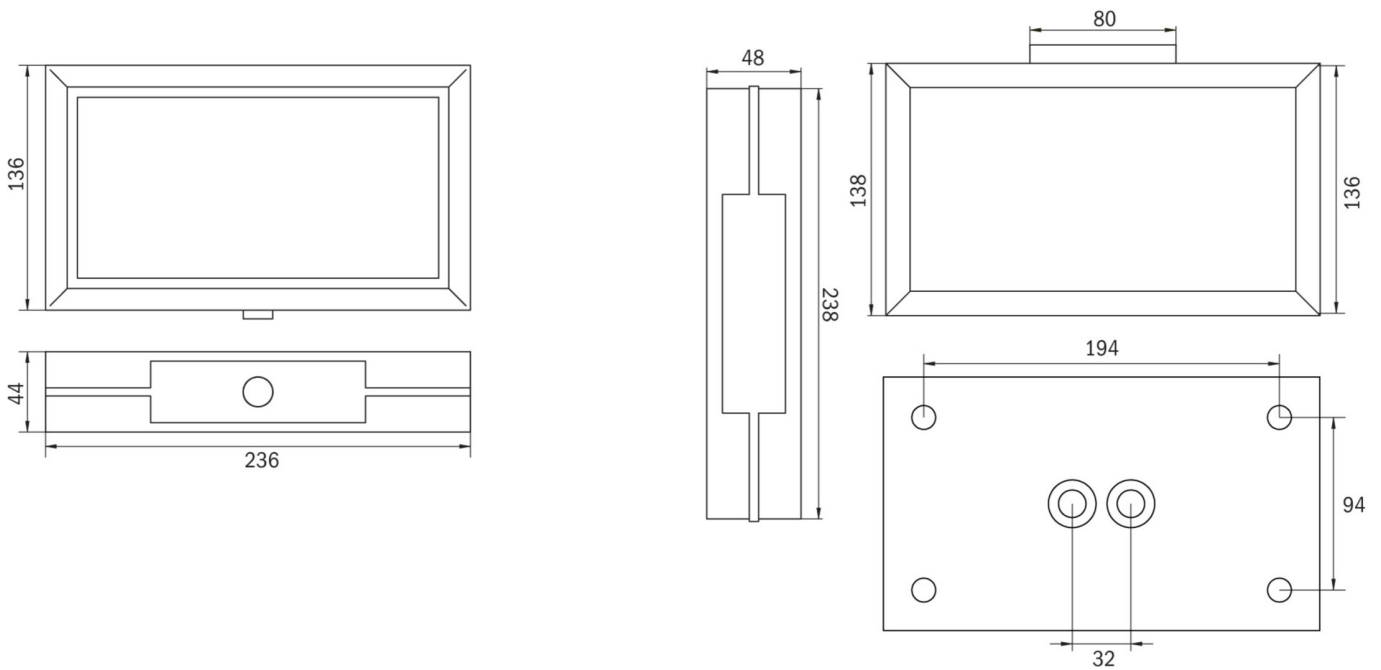
### TECHNICAL DATA

Luminaire type	Exit sign
Mounting	Wall mounted
Viewing distance	21 m
Pictograph	Set
Illuminant	LED
Housing material	Zinc die-cast
Colour	RAL 7016
Mechanical rating IP	40
Impact resistance IK	≥ 3
Protection class	1
Supply	Central power supply system
Monitoring	None
Operation time	CPS
Operation mode	Maintained mode
Input Voltage AC	230 V
Input Frequency Hz	50 / 60 Hz
Input Voltage DC	100-254 V
Power consumption max.	2,5 W
Power consumption maintained	2,5 W
Power consumption non-maintained	0 W
Ambient temperature maintained mode	-25 °C / 40 °C
Ambient temperature non-maintained mode	-25 °C / 40 °C
Length	48 mm



Width	236 mm
Height	148 mm
Weight	0.04 kg
Weight incl. Packaging	0.04 kg
Connection cross-section	1.5 mm
Switching input L'	No
Emergency light blocking	No
Battery connector	None
Dimming function	No
Customs tariff number	94056180
Country of origin	Germany
EAN	4260659563042

## TECHNICAL DRAWING



MMW\_IP65