



Art.-Nr: MMW009
Exit sign Centralised power supply systems
Wall mounting, Without monitoring, CPS, 21 m, IP40, Zinc die-cast, white

Slim, high-quality, zinc die-cast emergency exit sign luminaire with a modern design for wall mounting.

Planning certainty is provided by tool-free, variable use of the pictograms on site. A set of pictograms corresponding to DIN ISO 7010 (arrow to the right, left, up and down) is supplied as standard.



More information
www.rp-group.com/en/item/MMW009



TECHNICAL DATA

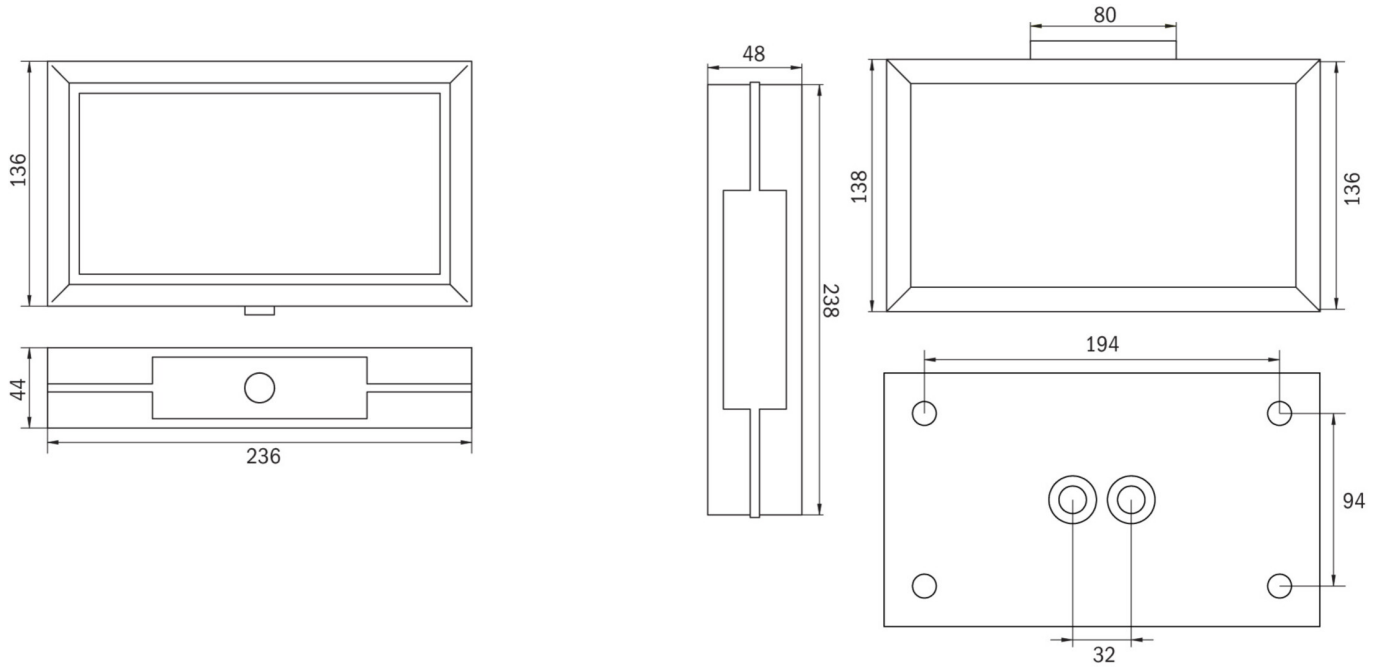
Luminaire type	Exit sign
Mounting	Wall mounting
Recognition distance	21 m
Pictograph	Set
Illuminant	LED
Housing material	Zinc die-cast
Housing color	white
Protection type (IP)	IP40
Impact resistance (IK)	≥ 3
Certification	WEEE, CE
Insulation class	1
Supply	Centralised power supply systems
Monitoring	Without monitoring
Bridging time	CPS
Battery	/
Operating mode	Permanent circuit
Input voltage AC	230 V
Input frequency	50 / 60 Hz
Input voltage DC	100-254 V
Power max.	2,5 W



Power DS	2,5 W
Power BS	0 W
Ambient temperature DS	-25 °C to 40 °C
Ambient temperature BS	-25 °C to 40 °C
Depth	48 mm
Width	236 mm
Height	138 mm
Weight	0.04
Weight incl. packaging	0.155
Connection cross-section	1.5 mm ²
Switching input	No
Emergency light blocking	No
Battery connection	No
Dimming function	No
Customs tariff number	94056180
EAN	4260659563035



TECHNICAL DRAWING



MMW_IP65

As of: 22.01.2025 - Subject to technical changes and errors.