



Art.-Nr: MMW403SC
Exit sign Self-contained
Wall mounting, SelfControl (SC), 3 h, 21 m, IP40, Zinc die-cast, Anthracite

Slim, high-quality, zinc die-cast emergency exit sign luminaire with a modern design for wall mounting.

Automatic monitoring of safety luminaire with SelfControl. Planning certainty is provided by tool-free, variable use of the pictograms on site. A set of pictograms corresponding to DIN ISO 7010 (arrow to the right, left, up and down) is supplied as standard.



More information

www.rp-group.com/en/item/MMW403SC



TECHNICAL DATA

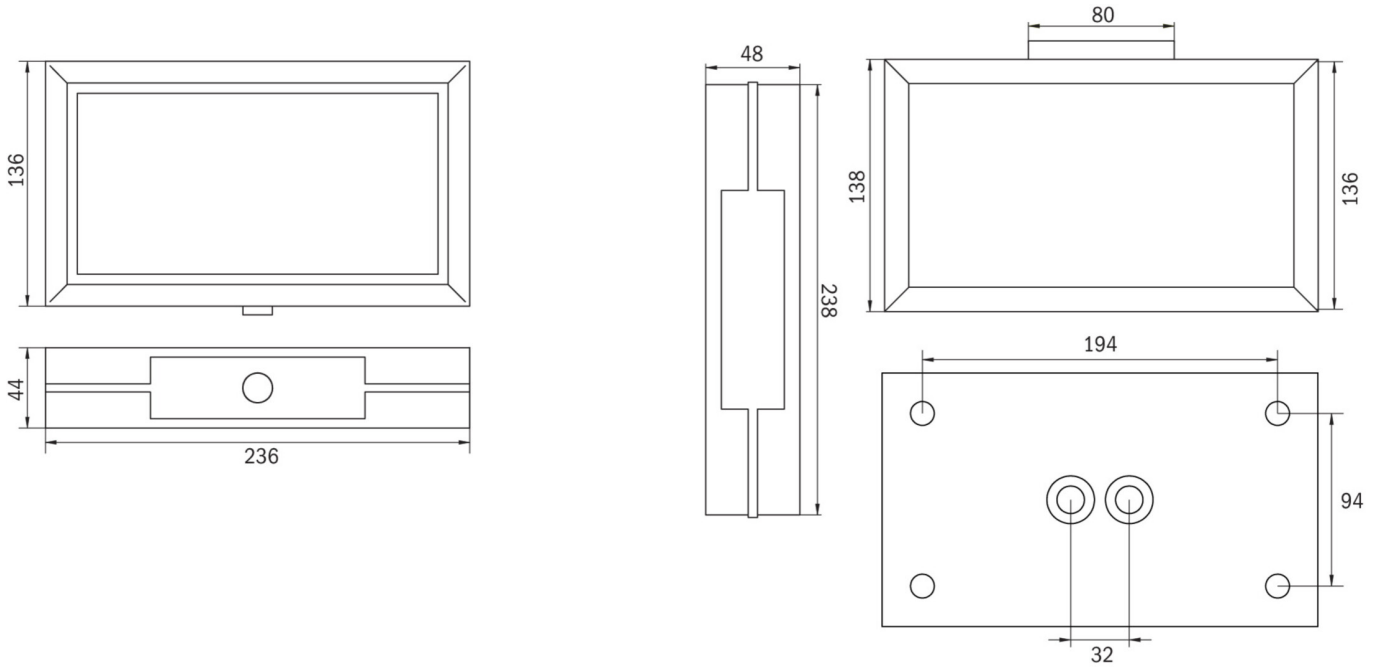
Luminaire type	Exit sign
Mounting	Wall mounting
Recognition distance	21 m
Pictograph	Set
Illuminant	LED
Housing material	Zinc die-cast
Housing color	Anthracite
Protection type (IP)	IP40
Impact resistance (IK)	≥ 3
Certification	WEEE, CE, 5 years warranty
Insulation class	1
Supply	Self-contained
Monitoring	SelfControl (SC)
Bridging time	3 h
Battery	LiFePO4 6,4 V/1,2 Ah
Operating mode	Non-maintained / maintained
Input voltageAC	180 V - 230 V
Input frequency	50 Hz
Power max.	3,9 W
Power maintained	3,0 W



Power non-maintained	0,9 W
Ambient temperature maintained mode	-5 °C to 40 °C
Ambient temperature non-maintained mode	-5 °C to 40 °C
Depth	48 mm
Width	236 mm
Height	148 mm
Weight	0.22
Weight incl. packaging	0.335
Connection cross-section	2,5 mm ²
Switching input	Yes
Emergency light blocking	No
Battery connection	Connector
Dimming function	No
Customs tariff number	94056180
EAN	4260766556593



TECHNICAL DRAWING



MMW_IP65

As of: 20.03.2025 - Subject to technical changes and errors.