



**Art.-Nr: MMW408SC**  
**Exit sign Single Battery**  
**Wall mounting, SelfControl (SC), 8 h, 21 m, IP40, Zinc die-cast, white**

Slim, high-quality, zinc die-cast emergency exit sign luminaire with a modern design for wall mounting.

Automatic monitoring of safety luminaire with SelfControl. Planning certainty is provided by tool-free, variable use of the pictograms on site. A set of pictograms corresponding to DIN ISO 7010 (arrow to the right, left, up and down) is supplied as standard.



More information

[www.rp-group.com/en/item/MMW408SC](http://www.rp-group.com/en/item/MMW408SC)



## TECHNICAL DATA

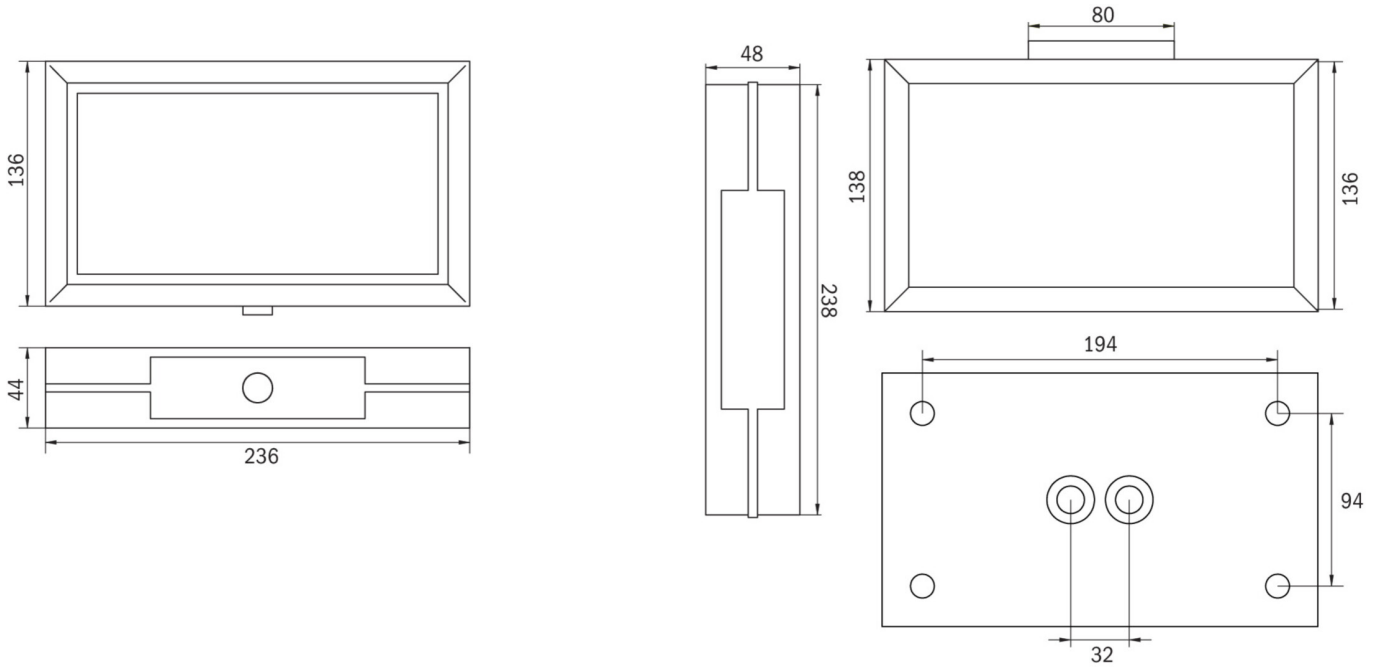
Luminaire type	Exit sign
Mounting	Wall mounting
Recognition distance	21 m
Pictograph	Set
Illuminant	LED
Housing material	Zinc die-cast
Housing color	white
Protection type (IP)	IP40
Impact resistance (IK)	≥ 3
Certification	WEEE, CE, 5 years warranty
Insulation class	1
Supply	Single Battery
Monitoring	SelfControl (SC)
Bridging time	8 h
Battery	LiFePO4 6,4 V/
Operating mode	Standby circuit / permanent circuit
Input voltageAC	180 V - 250 V
Input frequency	50 Hz
Power max.	2,6 W
Power maintained	1,7 W



Power non-maintained	0,9 W
Ambient temperature maintained mode	-5 °C to 40 °C
Ambient temperature non-maintained mode	-5 °C to 40 °C
Depth	48 mm
Width	236 mm
Height	138 mm
Weight	0.22
Weight incl. packaging	0.335
Connection cross-section	2,5 mm <sup>2</sup>
Switching input	Yes
Emergency light blocking	No
Battery connection	Connector
Dimming function	No
Customs tariff number	94056180
EAN	4262483022993



TECHNICAL DRAWING



MMW\_IP65

As of: 14.02.2025 - Subject to technical changes and errors.