



Art.-No.: NVKS403SC
NVG+SC / 105W/1h, 40W/3h, 8h -, 12V/17Ah, 230VAC

Self-contained battery supply with output voltage 230V/AC square voltage, 2 wire system up to 500m distance. for supply of 1 or 2 luminaires with fluorescent lamps, light bulbs or LED illuminants at 100% luminous flux.

Technical specifications according to DIN - VDA 0108-100 and DIN EN 60598 - 2 - 22. With deep discharge protection and integrated switch - on lock, threshold switch. The supply is handled by a maintenance-free, long life and gas-proof Pb rechargeable battery. The fully electronic and time controlled charging ensures an extended battery life. The LED function and monitoring display shows operating states and faults. A manual activation of a function test is possible through the built-in test button.



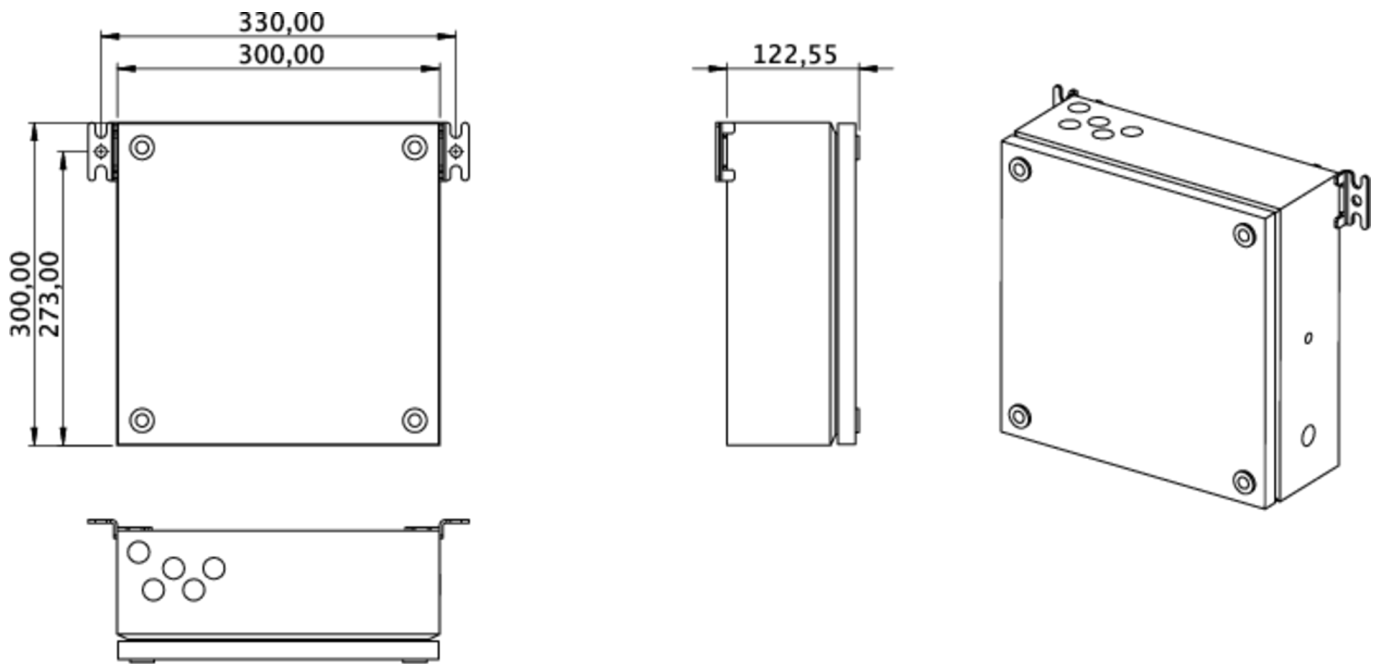
TECHNICAL DATA

Slots 19"	-
No. of included mains circuits	2
Charging unit included	Yes
SAM module included	No
IO module included	No
CCIF included	No
Networked	No
Connnection Substation/Subdistribution	No
Battery compartment included	Yes
Max. load 1h	-
Max. load 3h	40 W
Max. load 8h	-
Input Voltage AC	230 V
Input Frequency Hz	50 / 60 Hz
Output voltage AC	230V (rect.) V
Output voltage DC	- V
Material	Steel sheet
Colour	RAL 7035
Mechanical rating IP	54
Protection class	1
Length	120 mm



Width	300 mm
Height	300 mm
Customs tariff number	85389091
Country of origin	Germany

TECHNICAL DRAWING



ACCESSORIES

1x OGIV12170LP - OGiV Longlife Series (Designlife up to 12 years and more)