



Art.-Nr: OMCS009ML
Exit sign Centralised power supply systems
Ceiling mounting, Central power supply (ML), CPS, 20 m,
IP20, Polycarbonate, Light grey

Design luminaire for all purposes where elegance plays an important role. It uses as a light source a full-area Organic LED or OLED. Thus a 100% homogeneous illumination of the pictogram is achieved.

The housing surface is aluminized in a process as it is already used in the automotive industry. The variable use and toolless change of pictograms provide planning security on site. LED escape route luminaire in accordance with DIN EN 60598-1, EN 60598-2-22, EN 7010 and DIN EN 1838.

Control and monitoring via central power supply system.



More information

www.rp-group.com/en/item/OMCS009ML



TECHNICAL DATA

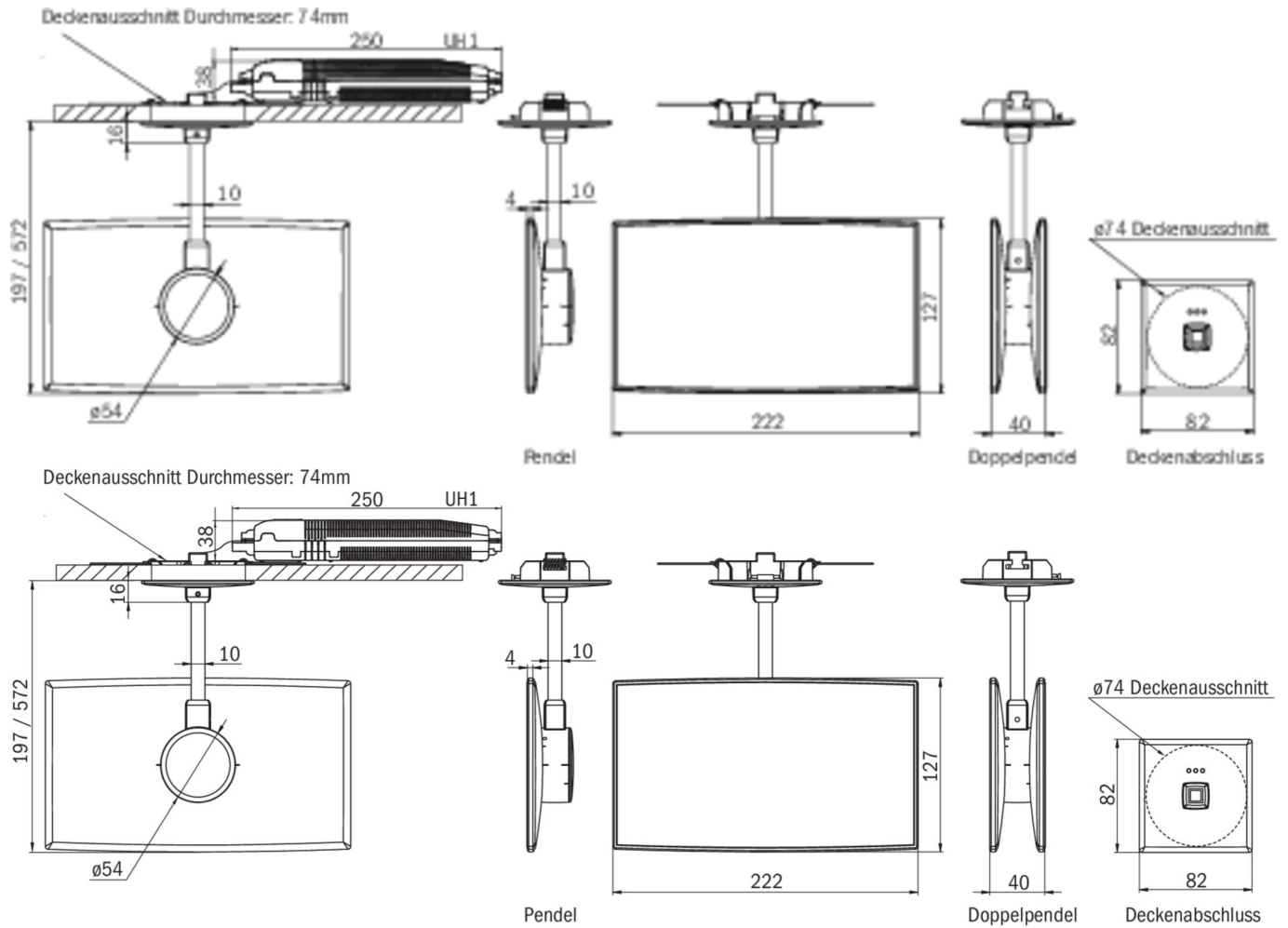
Luminaire type	Exit sign
Mounting	Ceiling mounting
Recognition distance	20 m
Pictograph	Set
Illuminant	OLED
Housing material	Polycarbonate
Housing color	Light grey
Protection type (IP)	IP20
Impact resistance (IK)	≥ 3
Certification	WEEE, CE
Insulation class	2
Supply	Centralised power supply systems
Monitoring	Central power supply (ML)
Bridging time	CPS
Battery	/
Operating mode	single luminaire switching
Input voltageAC	230 V



Input frequency	50 / 60 Hz
Input voltage DC	216 V
Power max.	4 W
Power maintained	4 W
Power non-maintained	1,1 W
Ambient temperature maintained mode	0 °C to 35 °C
Ambient temperature non-maintained mode	0 °C to 35 °C
Depth	15 mm
Width	222 mm
Height	143 mm
Installation height	71 mm
Installation dimensions Diameter	155 mm
Weight	0.51
Weight incl. packaging	0.74
Connection cross-section	2.5 mm ²
Switching input	Yes
Emergency light blocking	No
Battery connection	No
Dimming function	Yes
Luminous flux mains	100 lm
Luminous flux emergency	100 lm
Customs tariff number	94056120
EAN	4260349829809



TECHNICAL DRAWING



ACCESSORY LIST

OM1PA -



RELATED PRODUCTS

Art.-No.	Image	Monitoring	Supply	Color	Investment	Automatic log	Maintenance level	Remote maintenance	max. luminaires	Single luminaire monitoring
OMCD009ML		Central power supply (ML)	Central power supply	RAL 7035	€€€	Yes	low	Yes	1,920 per system	central
OMES009ML-AZ		Central power supply (ML)	Central power supply	RAL 7016	€€€	Yes	low	Yes	1,920 per system	central

As of: 27.05.2025 - Subject to technical changes and errors.