



**Art.-Nr: PMDK403SC**  
**Exit sign Self-contained**  
**Surface mounting, 3 h, 20 m, IP65, Polycarbonate, White, Set of pictograms**

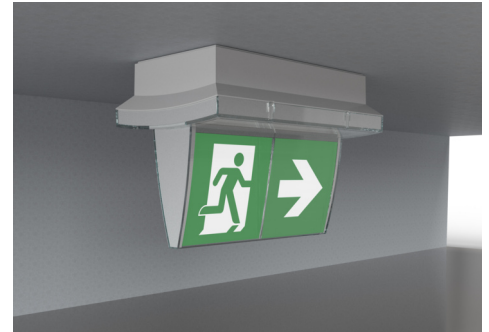
Polycarbonate emergency exit sign luminaire with trapezoid surround.

To help with mounting, levelling screws are integrated to compensate for uneven surfaces.

The luminaire can be mounted by fitting on the wall and ceiling as well as fitting in the ceiling in conjunction with the mounting frame available.

The set of pictograms is inserted on the inside and secured without the use of solvents.

Automatic monitoring of safety luminaire with SelfControl. Planning certainty is provided by tool-free, variable use of the pictograms on site. A set of pictograms corresponding to DIN ISO 7010 (2x man in the door and 2 straight arrows) are supplied as standard.



More information

[www.rp-group.com/en/item/PMDK403SC](http://www.rp-group.com/en/item/PMDK403SC)



## TECHNICAL DATA

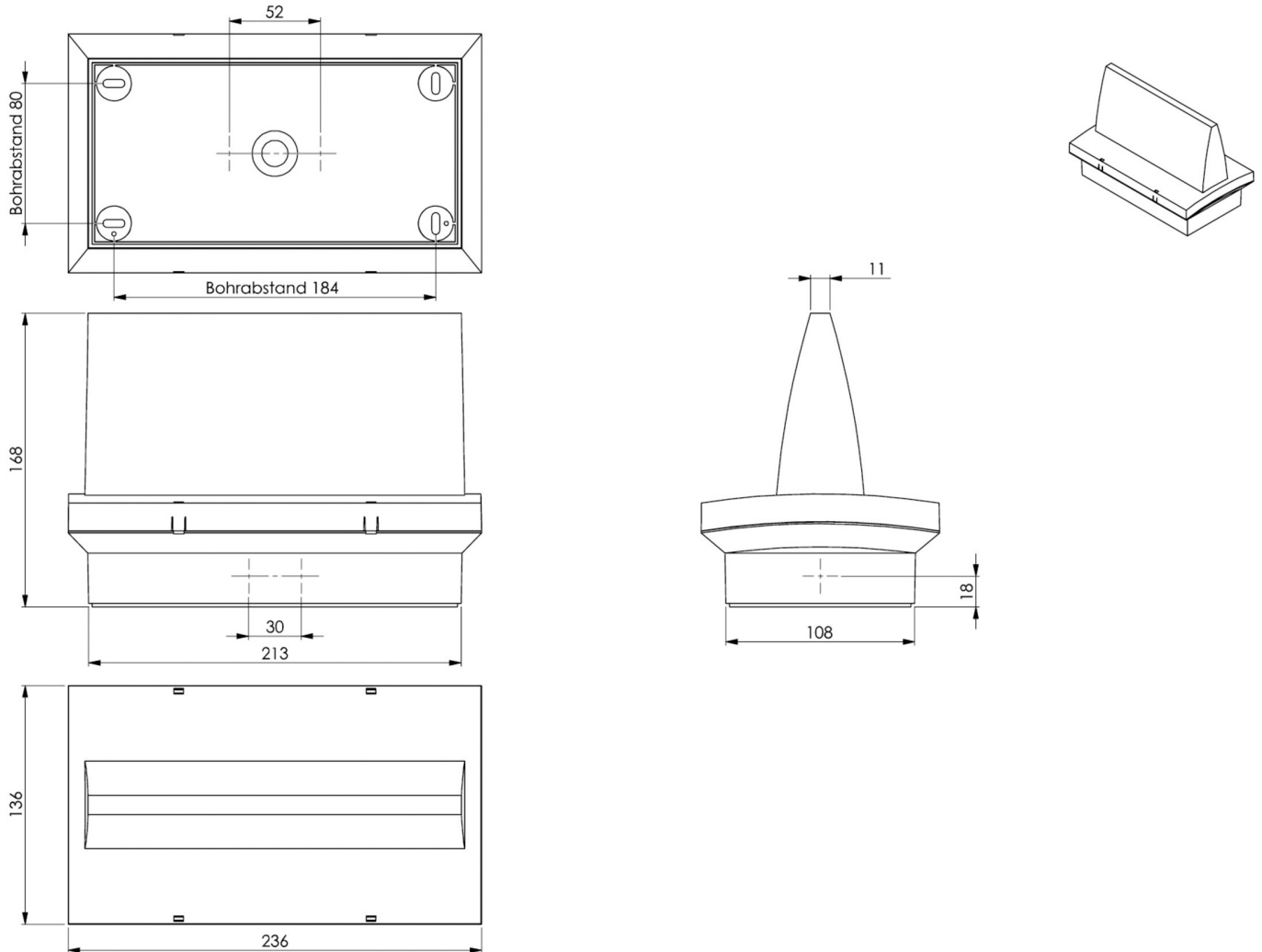
Luminaire type	Exit sign
Mounting	Surface mounting
Recognition distance	20 m
Pictograph	Set
Illuminant	LED
Housing material	Polycarbonate
Housing color	White
Protection type (IP)	IP65
Impact resistance (IK)	6
Certification	WEEE, CE, D-Sign, HACCP
Insulation class	2
Supply	Self-contained
Monitoring	SelfControl (SC)
Bridging time	3 h
Battery	LiFePO4 3,2 V/1,6 Ah



Operating mode	Non-maintained / maintained
Power max.	3,8 W
Power maintained	2,5 W
Power non-maintained	0,3 W
Ambient temperature maintained mode	0 °C to 35 °C
Ambient temperature non-maintained mode	0 °C to 35 °C
Depth	168 mm
Width	236 mm
Height	136 mm
Weight	0.9
Weight incl. packaging	1
Connection cross-section	1,5 mm <sup>2</sup>
Switching input	Yes
Emergency light blocking	No
Battery connection	Connector
Dimming function	No
Luminous flux mains	100 lm
Luminous flux emergency	100 lm
Customs tariff number	94056120
GTIN	4262484981084



## TECHNICAL DRAWING



## ACCESSORY LIST

PME - Professional module housing for sophisticated electrical engineering

PM-PIKTOSETSONDER.01 -

As of: 08.06.2026 - Subject to technical changes and errors.