



Art.-Nr: PXW411WL-TT
Exit sign Self-contained
Wall mounting, Wireless Professional (WL), 1 h, 30 m, IP65,
PCABS, Polycarbonate, White

Polycarbonate LED emergency exit sign luminaire with convex shaped surround for wall mounting. To help with mounting, levelling screws are integrated to compensate for uneven surfaces. The set of pictograms is inserted on the inside and secured without the use of solvents.

Wireless central control and monitoring for large installations of up to 50,000 luminaires with Wireless Professional. Planning certainty is provided by tool-free, variable use of the pictograms on site. A set of pictograms corresponding to DIN ISO 7010 (2x man in the door and 2 straight arrows) are supplied as standard.



More information

www.rp-group.com/en/item/PXW411WL-TT



TECHNICAL DATA

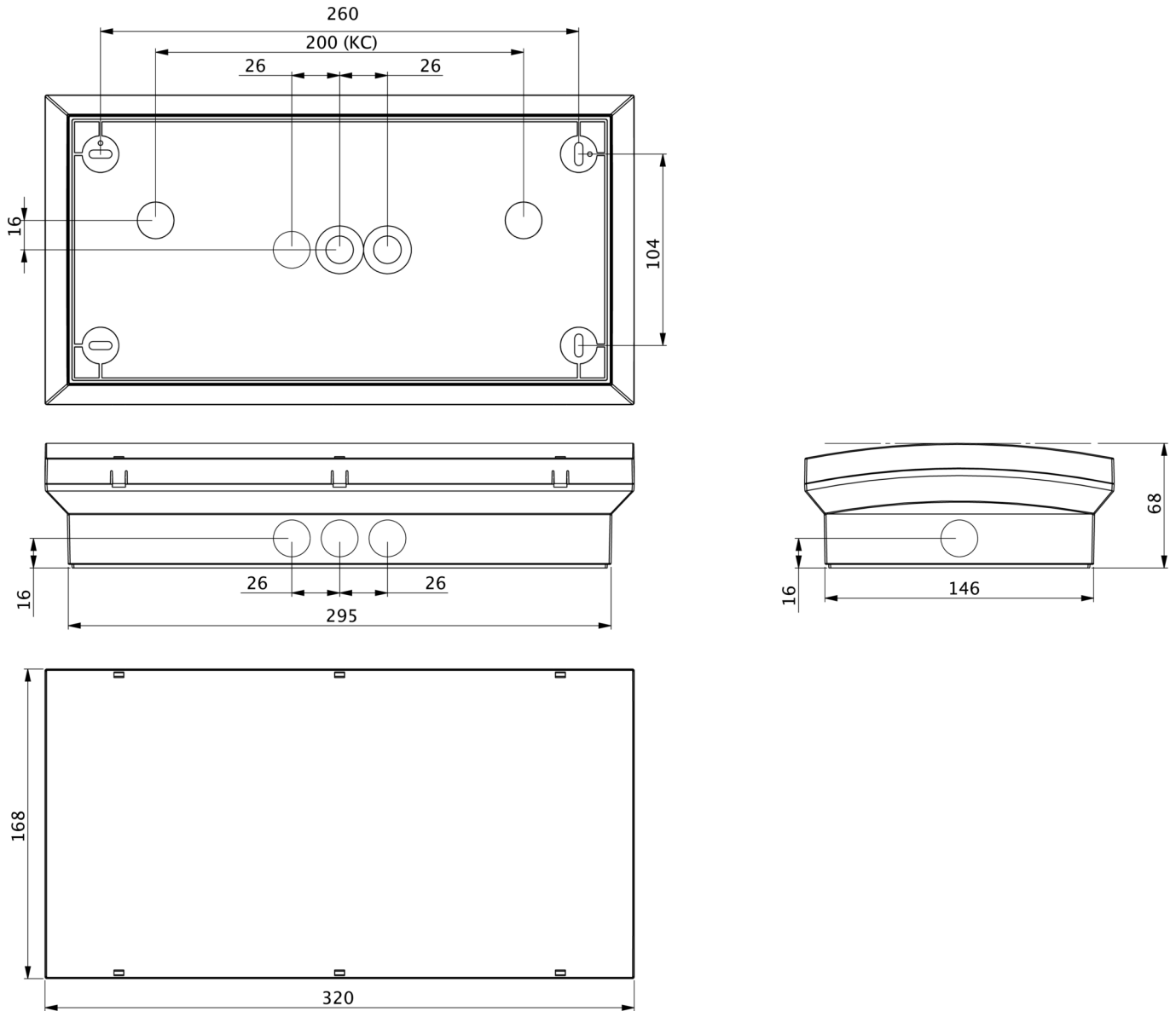
Luminaire type	Exit sign
Mounting	Wall mounting
Recognition distance	30 m
Pictograph	Set
Housing material	PCABS, Polycarbonate
Housing color	White
Protection type (IP)	IP65
Impact resistance (IK)	5
Certification	CE, WEEE
Insulation class	2
Supply	Self-contained
Monitoring	Wireless Professional (WL)
Bridging time	1 h
Battery	LiFePO4 3,2 V/3,3 Ah
Operating mode	Non-maintained / maintained
Input voltage AC	230 V
Input frequency	50 Hz
Power max.	4,2 W



Power maintained	2,2 W
Power non-maintained	0,8 W
Ambient temperature maintained mode	-15 °C to 40 °C
Ambient temperature non-maintained mode	-15 °C to 40 °C
Depth	68 mm
Width	320 mm
Height	168 mm
Weight	0.9
Weight incl. packaging	0.99
Connection cross-section	2.5 mm ²
Switching input	Yes
Emergency light blocking	Yes
Battery connection	Connector
Dimming function	Yes
Luminous flux mains	140 lm
Luminous flux emergency	140 lm
Customs tariff number	94056120
GTIN	4262483029220



TECHNICAL DRAWING



ACCESSORY LIST

PXD-PIKTOSETSONDER.01 - Pictogram set for marking accessible escape routes

As of: 12.01.2026 - Subject to technical changes and errors.