



Art.-Nr: QCW009-BM
General light, Safety luminaire Centralised power supply systems
Universal, Without monitoring, CPS, , IP54, Zinc die-cast, white



Round zinc die-cast luminaire with integrated motion detector for general-purpose lighting and illuminating escape and emergency routes in accordance with DIN EN 60598-1, DIN EN 60598-2-22 and DIN EN 1838.

A robust variant in a timeless design, suited to indoor and outdoor use. When mounting, the emergency light LED can be swung out without the need for tools, to perfectly illuminate the escape and emergency routes when mounted on a wall, for example.



More information
www.rp-group.com/en/item/QCW009-BM



TECHNICAL DATA

Luminaire type	General light, Safety luminaire
Mounting	Universal
Pictograph	No
Illuminant	LED
Housing material	Zinc die-cast
Housing color	white
Protection type (IP)	IP54
Impact resistance (IK)	10
Certification	WEEE, CE, D-Sign
Insulation class	1
Supply	Centralised power supply systems
Monitoring	Without monitoring
Bridging time	CPS
Battery	/
Operating mode	Permanent circuit
Input voltage AC	230 V
Input frequency	50 Hz
Input voltage DC	216 V

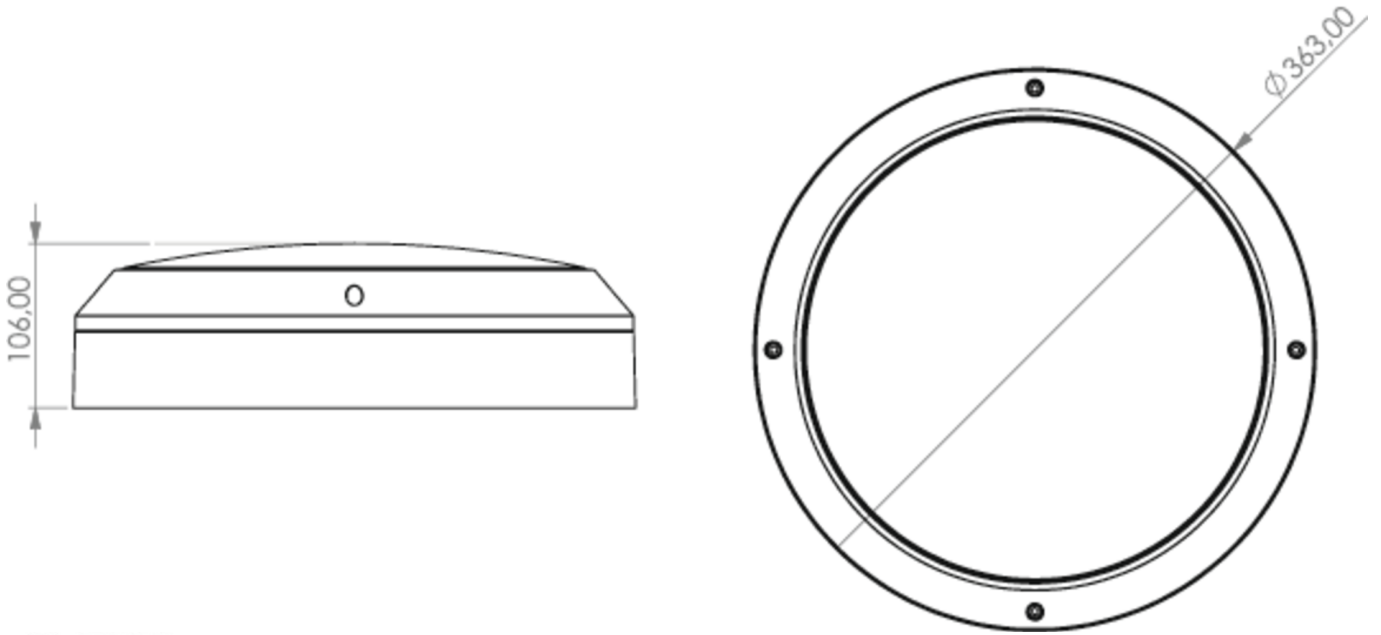


Power max.	17,5 W
Power DS	17,5 W
Power BS	0,5 W
Ambient temperature DS	-5 °C to 40 °C
Ambient temperature BS	-5 °C to 40 °C
Height	106 mm
Diameter	363 mm
Weight	2.59
Weight incl. packaging	2.92
Connection cross-section	1.5 mm ²
Switching input	No
Emergency light blocking	No
Battery connection	No
Dimming function	No
Luminous flux mains	1600 lm
Luminous flux emergency	1600 lm
Customs tariff number	94056180
EAN	4260682146212

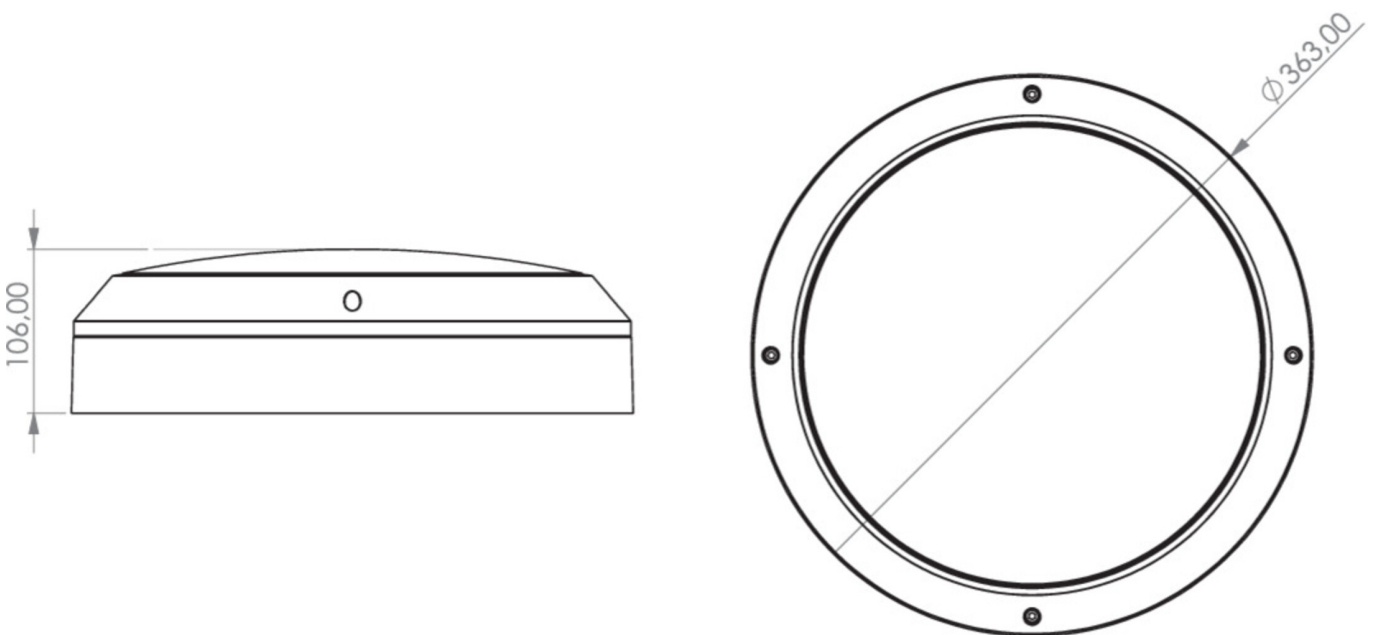


TECHNICAL DRAWING

QCW



QCW



As of: 22.01.2025 - Subject to technical changes and errors.