



Art.-Nr: QCW529CC
General light, Safety luminaire Centralised power supply systems
Universal, CoreCompact 24 (CC), CPS, , IP54, Zinc die-cast, white



Round zinc die-cast LED luminaire, as combined safety luminaire in a timeless design.

Alongside the general-purpose lighting, it also includes an integrated safety light function. When mounting, the emergency light LED can be swung out without the need for tools, to perfectly illuminate the escape and emergency routes when mounted on a wall, for example.

Control and monitoring via central 24 V low-power system.



More information
www.rp-group.com/en/item/QCW529CC



TECHNICAL DATA

Luminaire type	General light, Safety luminaire
Mounting	Universal
Pictograph	No
Illuminant	LED
Housing material	Zinc die-cast
Housing color	white
Protection type (IP)	IP54
Impact resistance (IK)	10
Certification	WEEE, CE, D-Sign
Insulation class	1
Supply	Centralised power supply systems
Monitoring	CoreCompact 24 (CC)
Bridging time	CPS
Battery	/
Operating mode	Standby circuit / permanent circuit
Input voltageAC	24 V
Power max.	19 W
Power DS	17 W

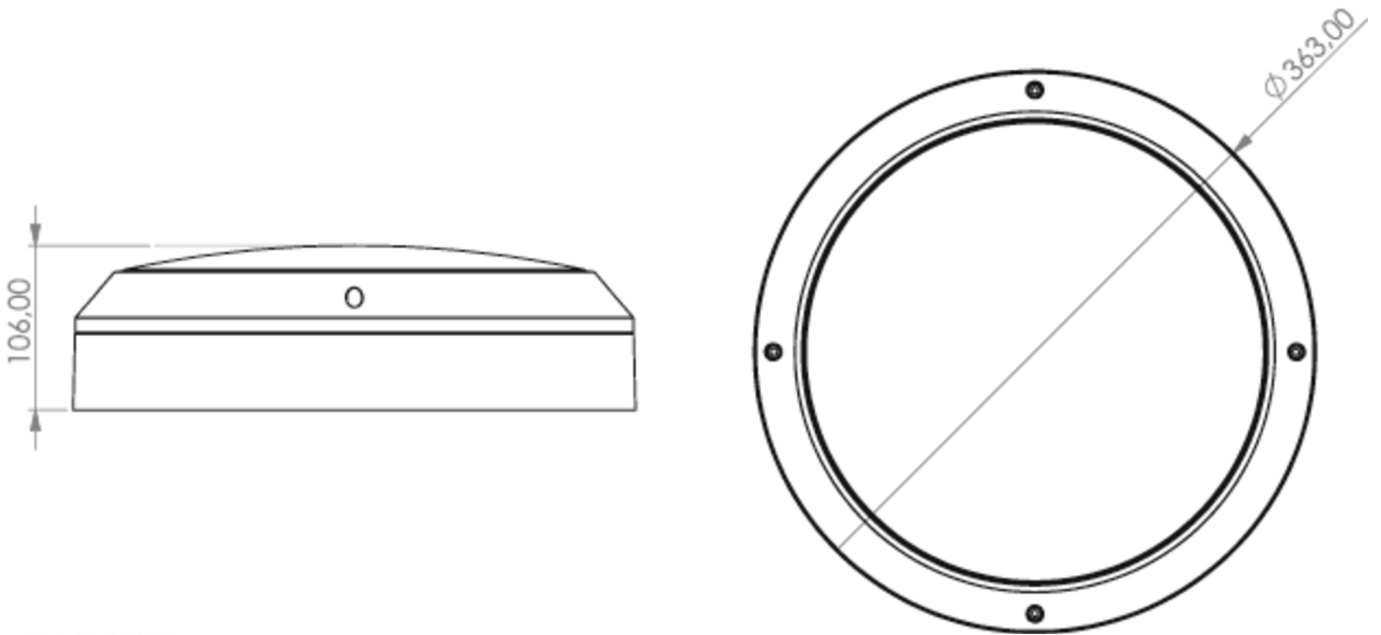


Power BS	0,4 W
Ambient temperature DS	-5 °C to 40 °C
Ambient temperature BS	-5 °C to 40 °C
Height	106 mm
Diameter	363 mm
Weight	2.5
Weight incl. packaging	2.83
Connection cross-section	2.5 mm ²
Switching input	No
Emergency light blocking	No
Battery connection	No
Luminous flux mains	1600 lm
Luminous flux emergency	470 lm
Customs tariff number	94056180
EAN	4262483023648

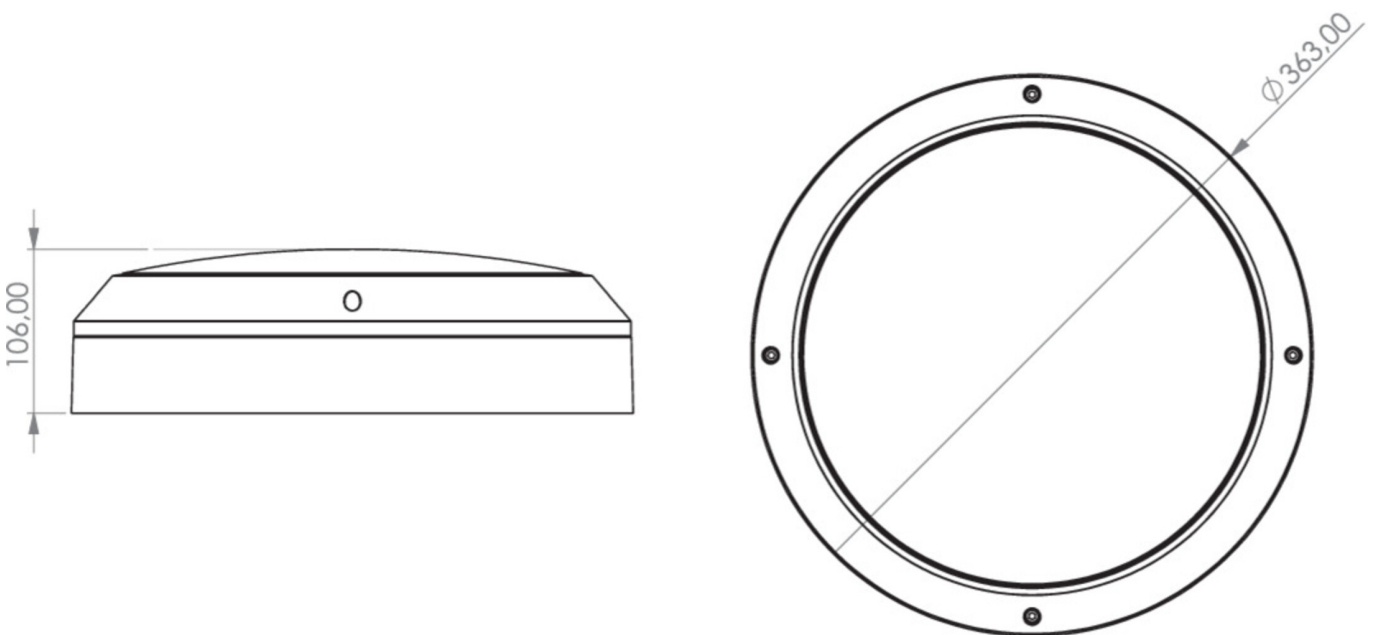


TECHNICAL DRAWING

QCW



QCW



As of: 22.01.2025 - Subject to technical changes and errors.