



Art.-Nr: TR-15381B-NWD

LED track luminaires, Track series, with multi-adapter for 3-phase busbars, 230V. Housing made from die-cast aluminium, white or anthracite, powder-coated. Can be rotated 350° horizontally and swivelled 90° vertically. Interchangeable PC lenses, non-yellowing, for various beam angles (20° - 60°). Operating unit can be switched or dimmed (DALI dimmer), installed.



More information

www.rp-group.com/en/item/TR-15381B-NWD



TECHNICAL DATA

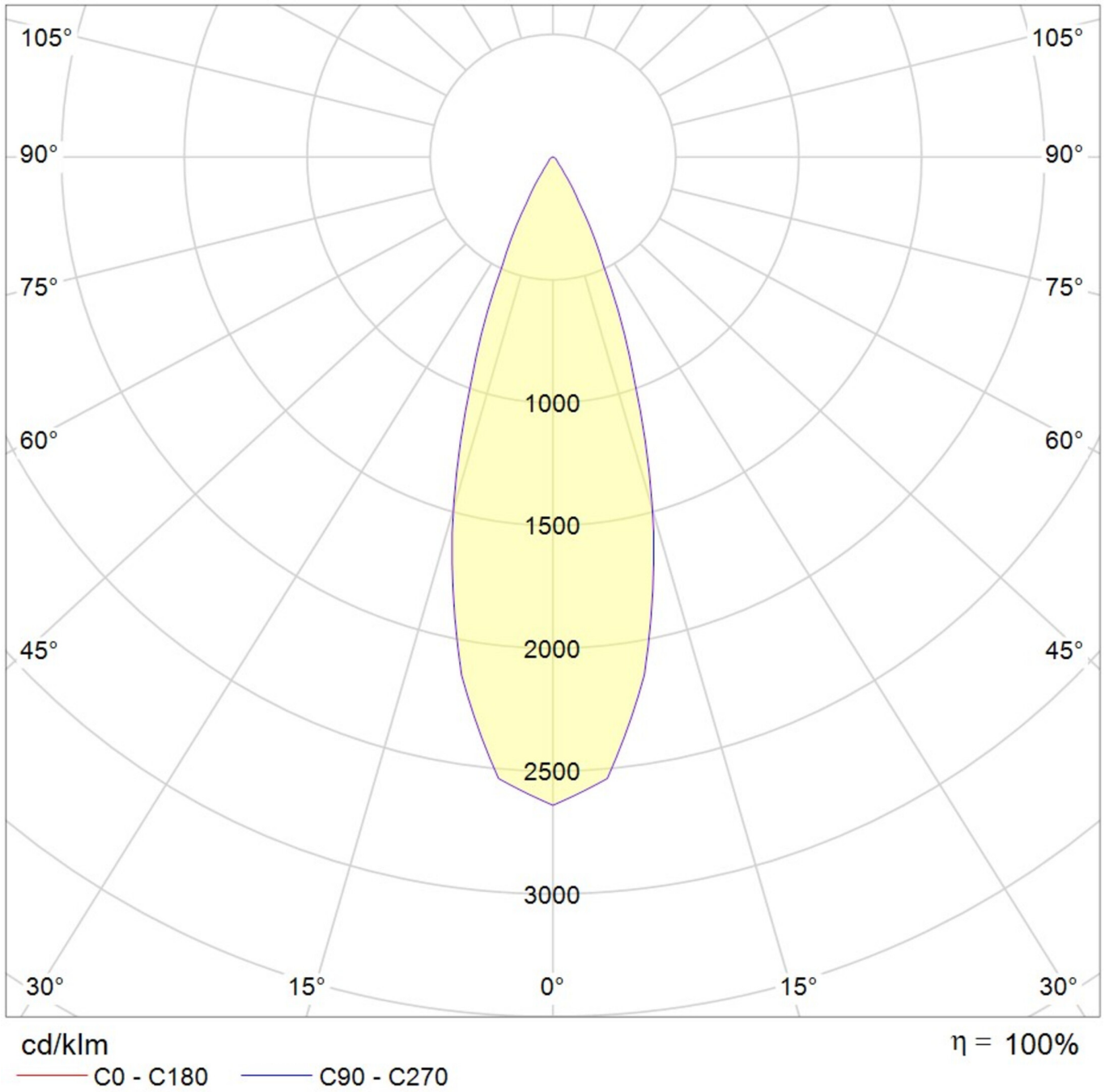
Dimensions	
Product dimensions Length	184 mm
Product dimensions Width	150 mm
Product dimensions Height	85 mm
Product weight	0.65 kg
Packaging dimensions	
Packaging dimensions Length	208 mm
Packaging dimensions Width	140 mm
Packaging dimensions Height	110 mm
Weight incl. packaging	0.67 kg
Color	
Color	White
Housing material	
Housing material	Aluminium
Certification	
Certification	CE, RoHS
Protection type (IP)	IP20
Glow wire test	650 °C
Electrical connection	
Type of dimming	DALI
System performance	15 W
Input voltage AC	220-240V / 50-60Hz V

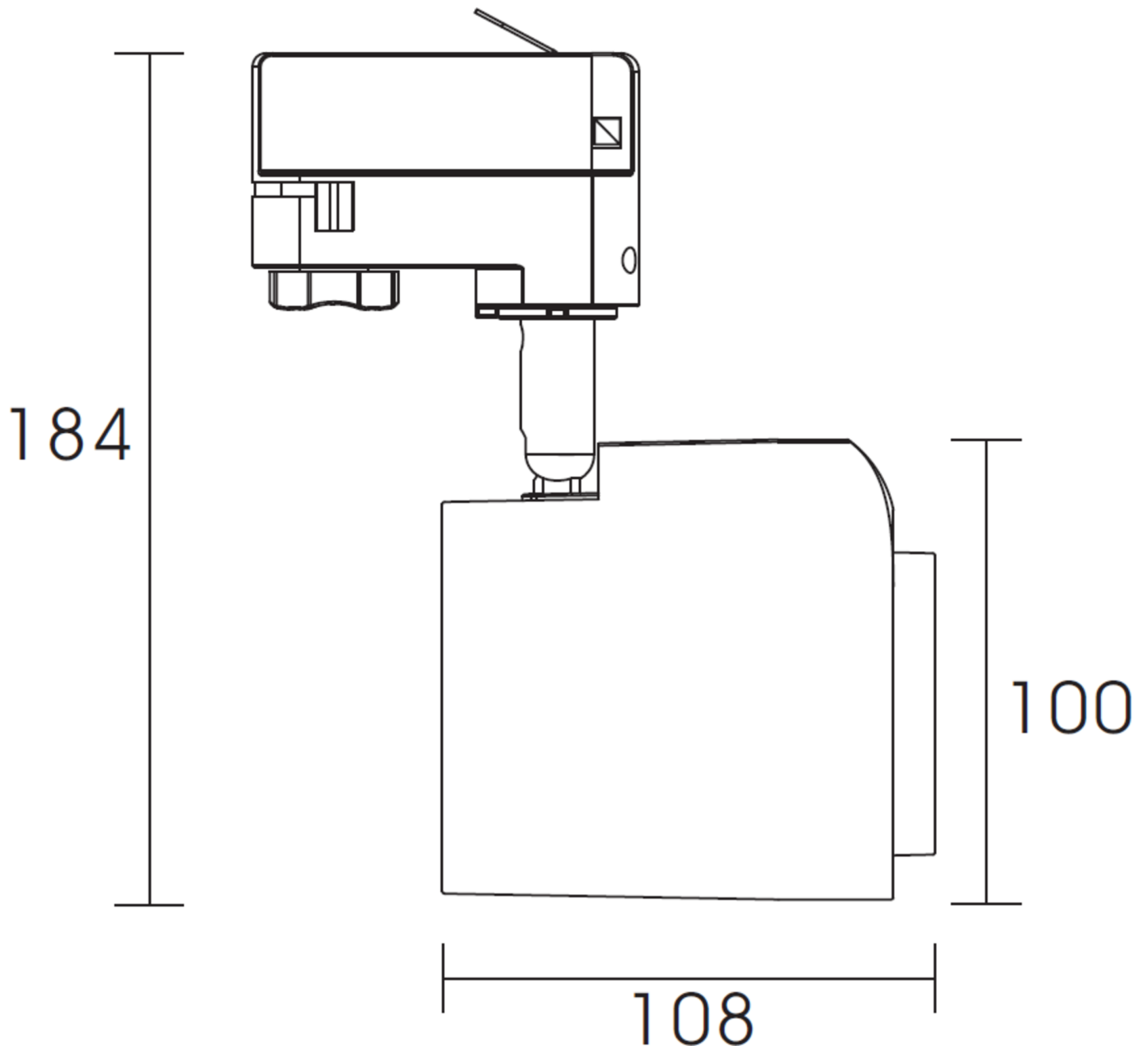


Starting current	0.98 A
Power factor	0.9 PF
power supply	
Number of power supply units on LS B10A	68 pcs.
Number of power supply units on LS B16A	108 pcs.
Number of power supply units at LS C10A	90 pcs.
Number of power supply units at LS C16A	144 pcs.
Electrical design	with internal control gear, Dimmable
Light data	
Light source	LED
Rated luminous flux	1600 lm
Colour rendering index	> 80 Ra
Colour tolerance	4
Beam angle	33 °
Color temperature	4000 K
Light color	840
UGR	16.7
Service life	50000 h, L70
Light yield	107 lm/w
Temperatures	
Ambient temperature (Min)	-20 °C
Ambient temperature (Max)	40 °C



TEXT.LICHTVERTEILUNG





As of: 10.04.2025 - Subject to technical changes and errors.