



Art.-Nr: TR-15381W-WWD

LED track luminaires, Track series, with multi-adapter for 3-phase busbars, 230V. Housing made from die-cast aluminium, white or anthracite, powder-coated. Can be rotated 350° horizontally and swivelled 90° vertically. Interchangeable PC lenses, non-yellowing, for various beam angles (20° - 60°). Operating unit can be switched or dimmed (DALI dimmer), installed.



More information

www.rp-group.com/en/item/TR-15381W-WWD



TECHNICAL DATA

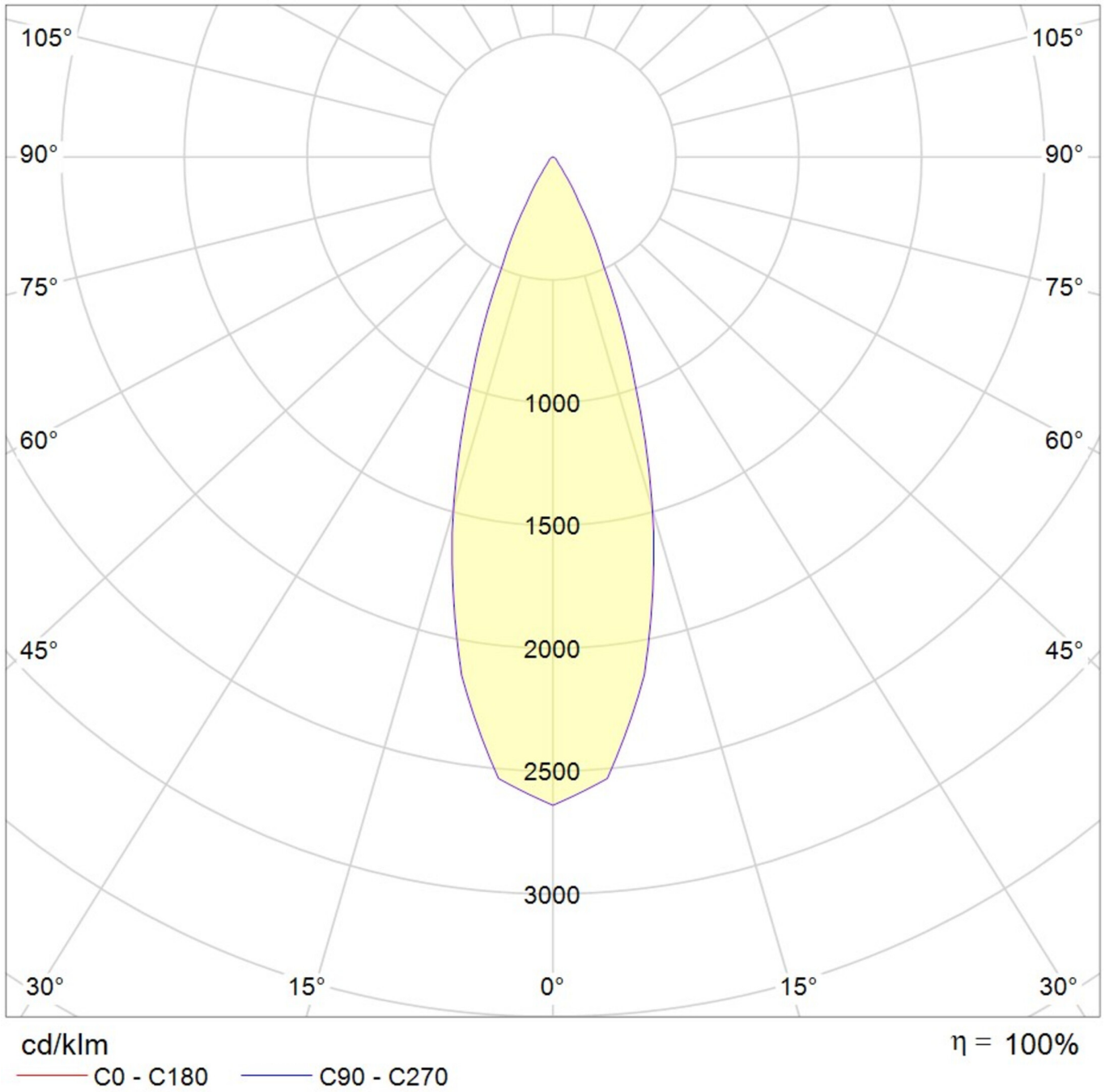
| Dimensions | |
|-----------------------------|----------------------|
| Product dimensions Length | 184 mm |
| Product dimensions Width | 150 mm |
| Product dimensions Height | 85 mm |
| Product weight | 0.65 kg |
| Packaging dimensions | |
| Packaging dimensions Length | 208 mm |
| Packaging dimensions Width | 140 mm |
| Packaging dimensions Height | 110 mm |
| Weight incl. packaging | 0.67 kg |
| Color | |
| Color | White |
| Housing material | |
| Housing material | Aluminium |
| Certification | |
| Certification | CE, RoHS |
| Protection type (IP) | IP20 |
| Glow wire test | 650 °C |
| Electrical connection | |
| Type of dimming | DALI |
| System performance | 15 W |
| Input voltage AC | 220-240V / 50-60Hz V |

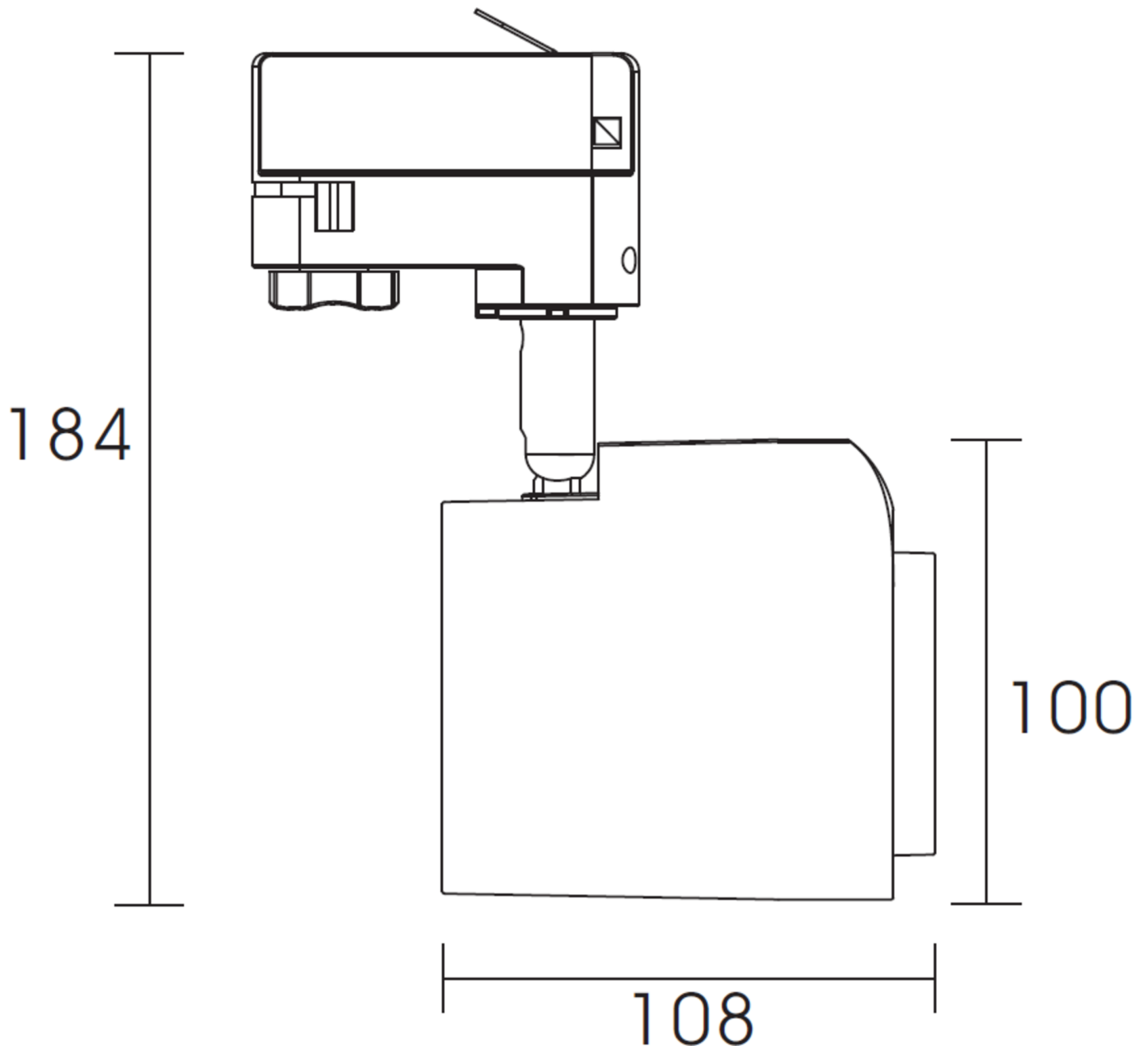


| | |
|---|--------------------------------------|
| Starting current | 0.98 A |
| Power factor | 0.9 PF |
| power supply | |
| Number of power supply units on LS B10A | 68 pcs. |
| Number of power supply units on LS B16A | 108 pcs. |
| Number of power supply units at LS C10A | 90 pcs. |
| Number of power supply units at LS C16A | 144 pcs. |
| Electrical design | with internal control gear, Dimmable |
| Light data | |
| Light source | LED |
| Rated luminous flux | 1500 lm |
| Colour rendering index | > 80 Ra |
| Colour tolerance | 4 |
| Beam angle | 33 ° |
| Color temperature | 3000 K |
| Light color | 830 |
| UGR | 16.7 |
| Service life | 50000 h, L70 |
| Light yield | 100 lm/w |
| Temperatures | |
| Ambient temperature (Min) | -20 °C |
| Ambient temperature (Max) | 40 °C |



TEXT.LICHTVERTEILUNG





As of: 10.04.2025 - Subject to technical changes and errors.