



Art.-Nr: TR-35401W-NW
LED track spotlight "TRACK35", 184x150x85mm, beam angle 40°, 35W, 3700lm, 3000K, CRI >80, IP20, white, Triac dimmable

LED track luminaires, Track series, with multi-adapter for 3-phase busbars, 230V. Housing made from die-cast aluminium, white or anthracite, powder-coated. Can be rotated 350° horizontally and swivelled 90° vertically. Interchangeable PC lenses, non-yellowing, for various beam angles (20° - 60°). Operating unit can be switched or dimmed (DALI dimmer), installed.



More information

www.rp-group.com/en/item/TR-35401W-NW



TECHNICAL DATA

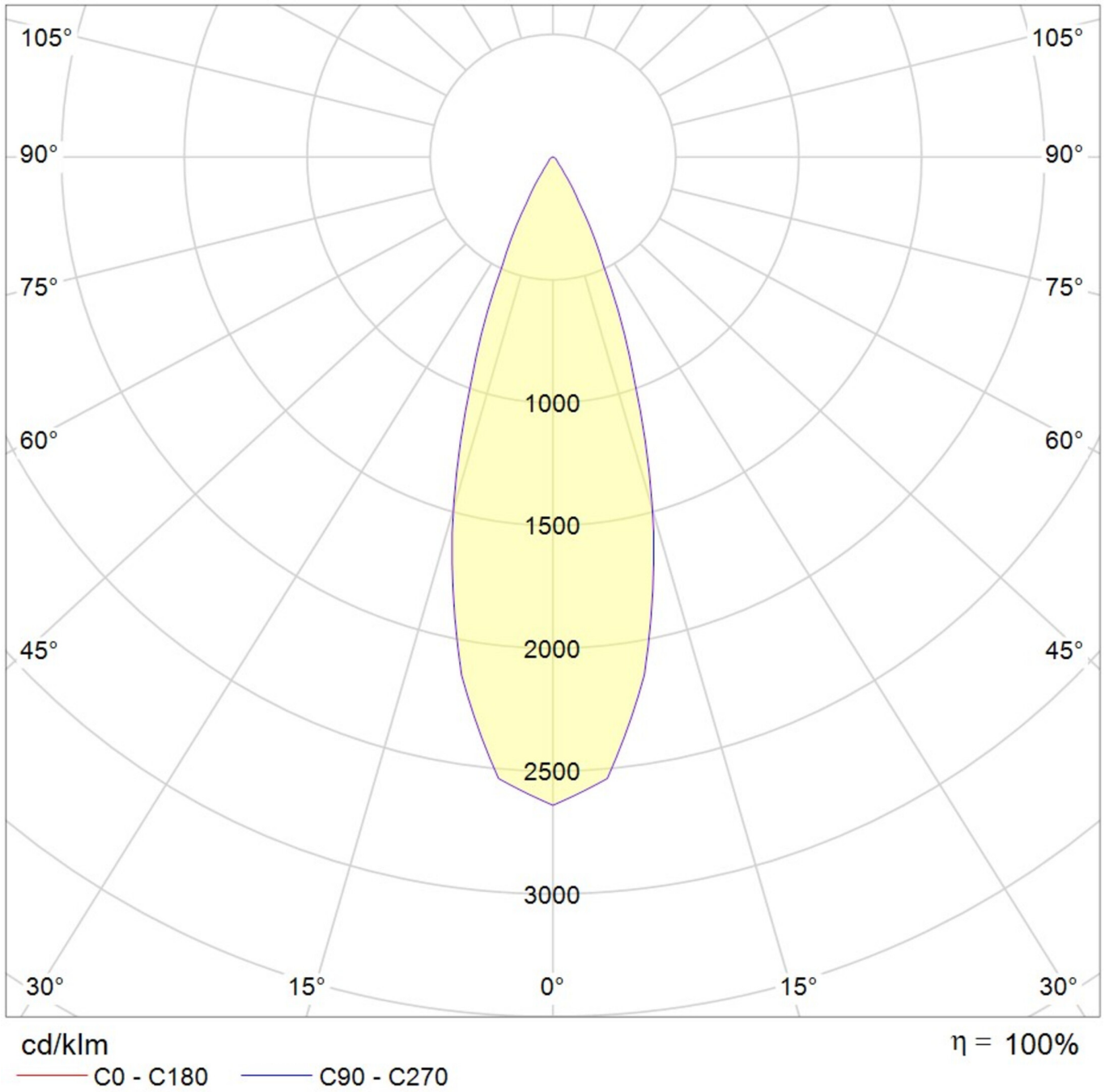
Dimensions	
Product dimensions Length	199 mm
Product dimensions Width	182 mm
Product dimensions Height	96 mm
Product weight	1.09 kg
Packaging dimensions	
Packaging dimensions Length	248 mm
Packaging dimensions Width	150 mm
Packaging dimensions Height	127 mm
Weight incl. packaging	1.11 kg
Color	
Color	White
Housing material	
Housing material	Aluminium
Certification	
Certification	CE, RoHS
Protection type (IP)	IP20
Glow wire test	650 °C
Electrical connection	
Type of dimming	TRIAC

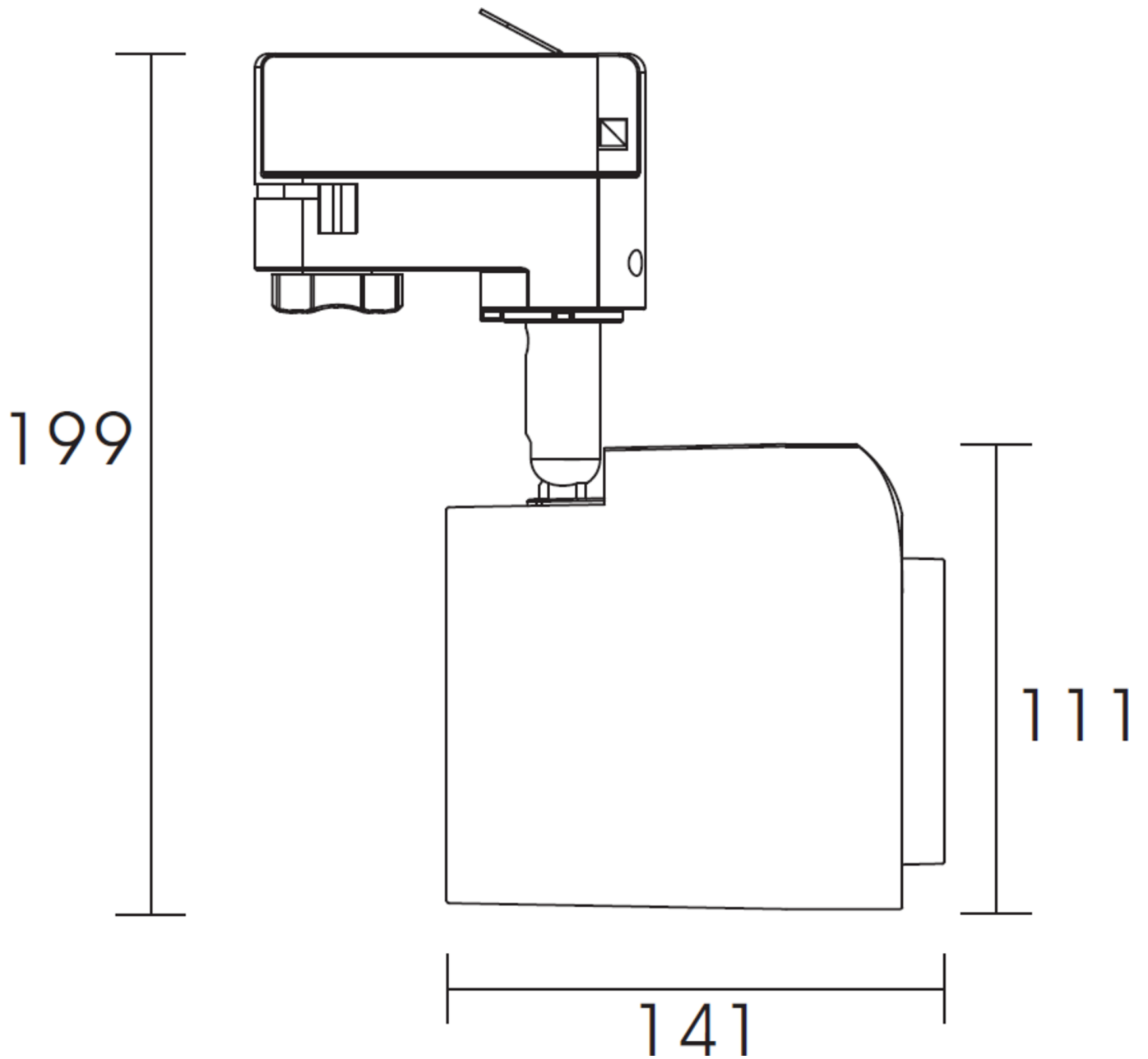


System performance	35 W
Input voltage AC	220-240V / 50-60Hz V
Starting current	2.48 A
Power factor	0.95 PF
power supply	
Number of power supply units on LS B10A	32 pcs.
Number of power supply units on LS B16A	51 pcs.
Number of power supply units at LS C10A	42 pcs.
Number of power supply units at LS C16A	68 pcs.
Electrical design	with internal control gear, Dimmable
Light data	
Light source	LED
Rated luminous flux	3700 lm
Colour rendering index	> 80 Ra
Colour tolerance	4
Beam angle	40 °
Color temperature	4000 K
Light color	840
UGR	22.9
Service life	50000 h, L70
Light yield	106 lm/w
Temperatures	
Ambient temperature (Min)	-20 °C
Ambient temperature (Max)	40 °C



TEXT.LICHTVERTEILUNG





As of: 10.04.2025 - Subject to technical changes and errors.