



Art.-Nr: UEMR019
Exit sign Centralised power supply systems
Recessed wall mounting, Without monitoring, CPS, 20 m,
IP40, , Transparent

LED emergency exit sign luminaire for recessed wall mounting, without a frame and flush to the wall. Frameless, flush-mounted LED emergency exit sign for wall installation. It integrates seamlessly into the wall without visible frames, screws, or protruding elements, ensuring an unobtrusive appearance.

An integrated leveling system allows for precise and easy alignment of the light with the wall surface.

The pictogram set is inserted internally and attached without solvents.

Suitable accessories are available for installation in concrete or masonry:

UEMR-BWE – Concrete mounting housing

UEMR-TWE – Drywall mounting frame

Planning certainty is provided by tool-free, variable use of the pictograms on site. A set of pictograms corresponding to DIN ISO 7010 (2x man in the door and 2 straight arrows) are supplied as standard.



More information
www.rp-group.com/en/item/UEMR019



TECHNICAL DATA

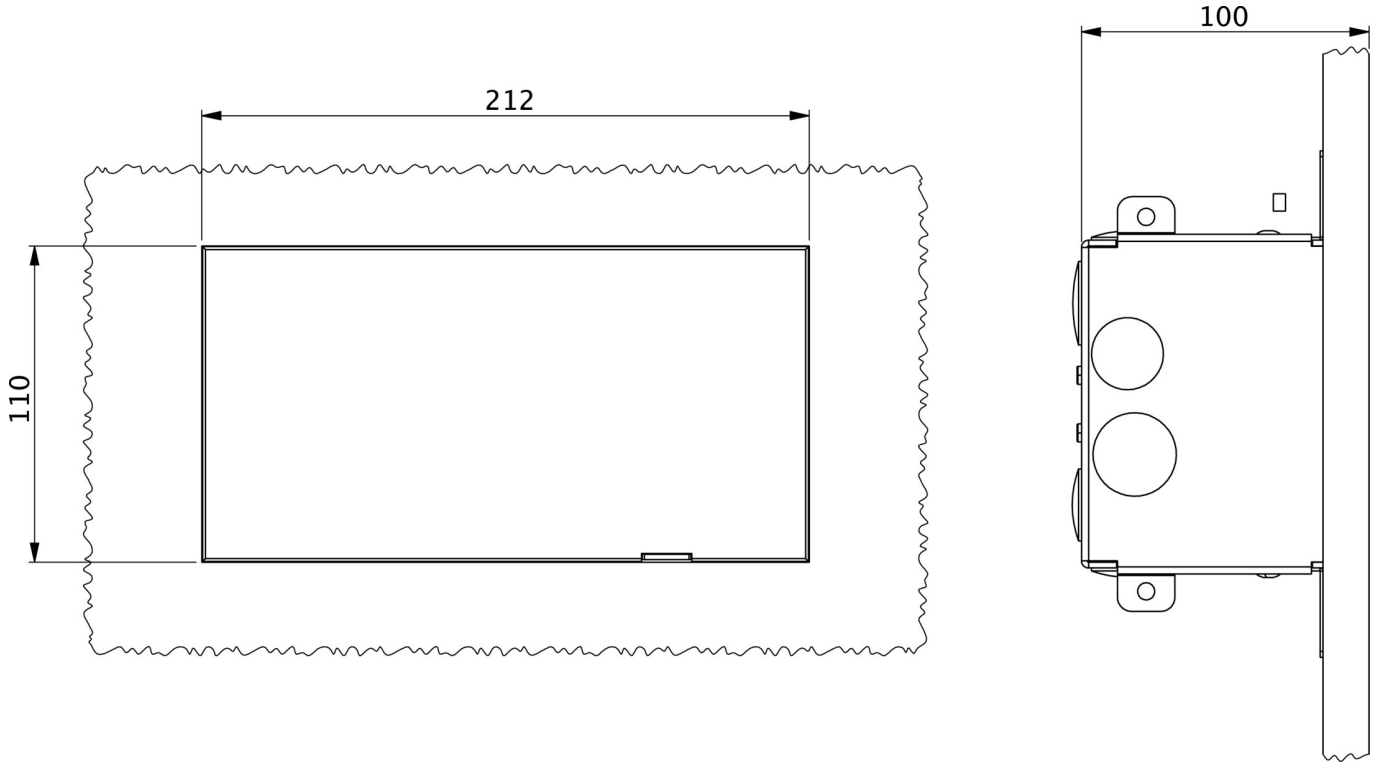
Luminaire type	Exit sign
Mounting	Recessed wall mounting
Recognition distance	20 m
Pictograph	Set
Illuminant	LED
Housing color	Transparent
Protection type (IP)	IP40
Impact resistance (IK)	7
Certification	WEEE, CE
Insulation class	1
Supply	Centralised power supply systems
Monitoring	Without monitoring
Bridging time	CPS
Battery	/



Operating mode	Permanent circuit
Input voltage AC	230 V
Input frequency	50 / 60 Hz
Input voltage DC	100-254 V
Power max.	1,7 W
Power maintained	1,7 W
Power non-maintained	0,3 W
Ambient temperature maintained mode	-20 °C to 40 °C
Ambient temperature non-maintained mode	-20 °C to 40 °C
Depth	100 mm
Width	212 mm
Height	110 mm
Weight	0.04
Weight incl. packaging	0.29
Connection cross-section	1.5 mm ²
Switching input	No
Emergency light blocking	No
Battery connection	No
Dimming function	No
Luminous flux mains	80 lm
Luminous flux emergency	80 lm
GTIN	4260766550065



TECHNICAL DRAWING



As of: 30.04.2026 - Subject to technical changes and errors.