



Art.-Nr: UEMR519CC

Exit sign

**Recessed wall mounting, CoreCompact 24 (CC), , 20 m,
IP40, , Transparent**

LED emergency exit sign luminaire for recessed wall mounting, without a frame and flush to the wall. Frameless, flush-mounted LED emergency exit sign for wall installation. It integrates seamlessly into the wall without visible frames, screws, or protruding elements, ensuring an unobtrusive appearance.

An integrated leveling system allows for precise and easy alignment of the light with the wall surface.

The pictogram set is inserted internally and attached without solvents.

Suitable accessories are available for installation in concrete or masonry:

UEMR-BWE – Concrete mounting housing

UEMR-TWE – Drywall mounting frame

Control and monitoring via central 24 V low-power system. Planning certainty is provided by tool-free, variable use of the pictograms on site. A set of pictograms corresponding to DIN ISO 7010 (2x man in the door and 2 straight arrows) are supplied as standard.



More information

www.rp-group.com/en/item/UEMR519CC



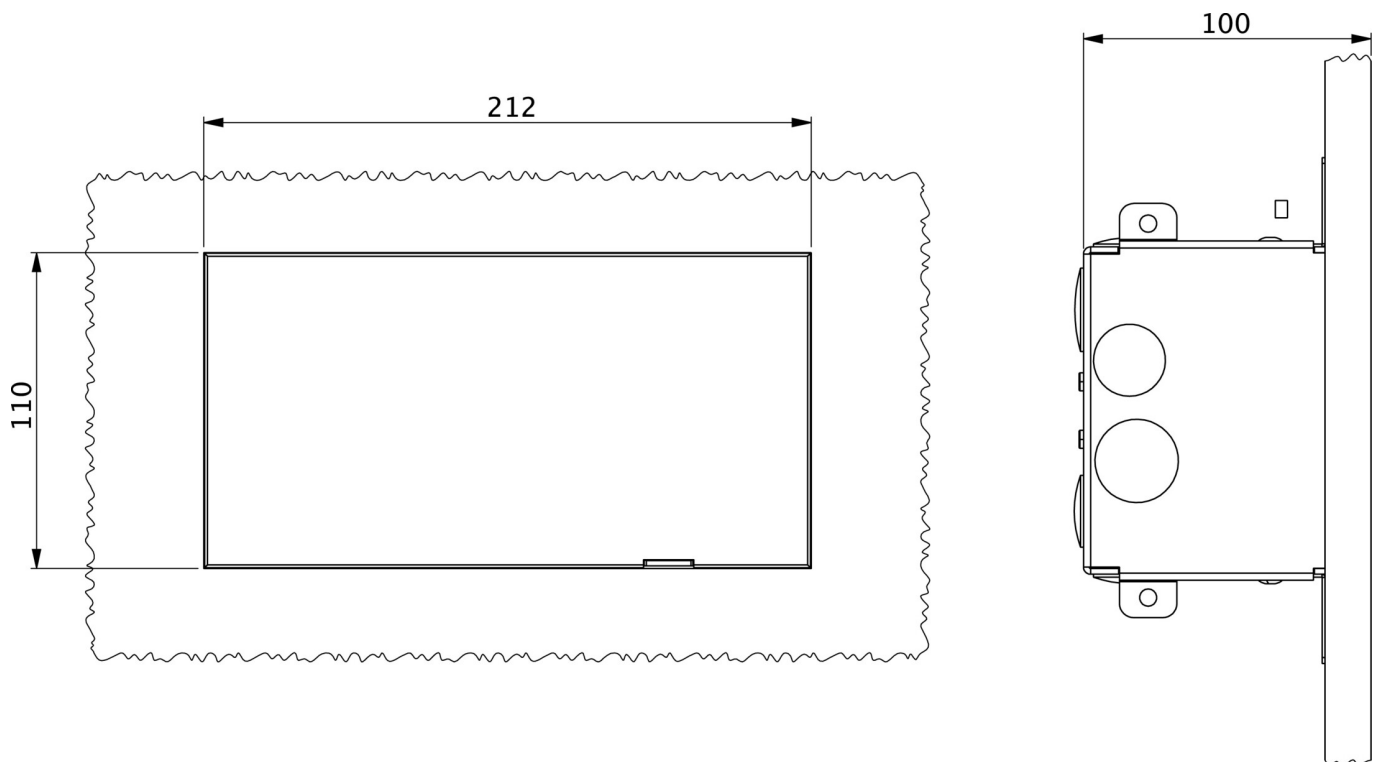
TECHNICAL DATA

Luminaire type	Exit sign
Mounting	Recessed wall mounting
Recognition distance	20 m
Pictograph	Set
Housing color	Transparent
Protection type (IP)	IP40
Impact resistance (IK)	7
Certification	WEEE, CE
Insulation class	1
Monitoring	CoreCompact 24 (CC)
Battery	/
Ambient temperature maintained mode	-25 °C to 40 °C
Ambient temperature non-maintained mode	-25 °C to 40 °C



Depth	100 mm
Width	212 mm
Height	110 mm
Weight incl. packaging	0.25
GTIN	4260766550140

TECHNICAL DRAWING



As of: 30.04.2026 - Subject to technical changes and errors.