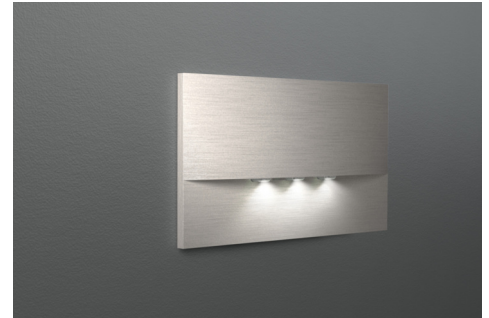




**Art.-Nr: WEF029-E**  
**Safety luminaire Centralised power supply systems**  
**Recessed wall mounting, Without monitoring, CPS, , IP20,**  
**Zinc die-cast, Stainless steel**

High-grade zinc die-cast safety luminaire for recessed mounting in the wall. This is intended for mounting in conventional double switch boxes where the mounting frame can be aligned to the box. The zinc die-cast ornamental cover is locked using a fastener that cannot be seen from the outside.

The radiating characteristics run parallel to the wall to help perfectly illuminate escape and emergency routes.



More information  
[www.rp-group.com/en/item/WEF029-E](http://www.rp-group.com/en/item/WEF029-E)



## TECHNICAL DATA

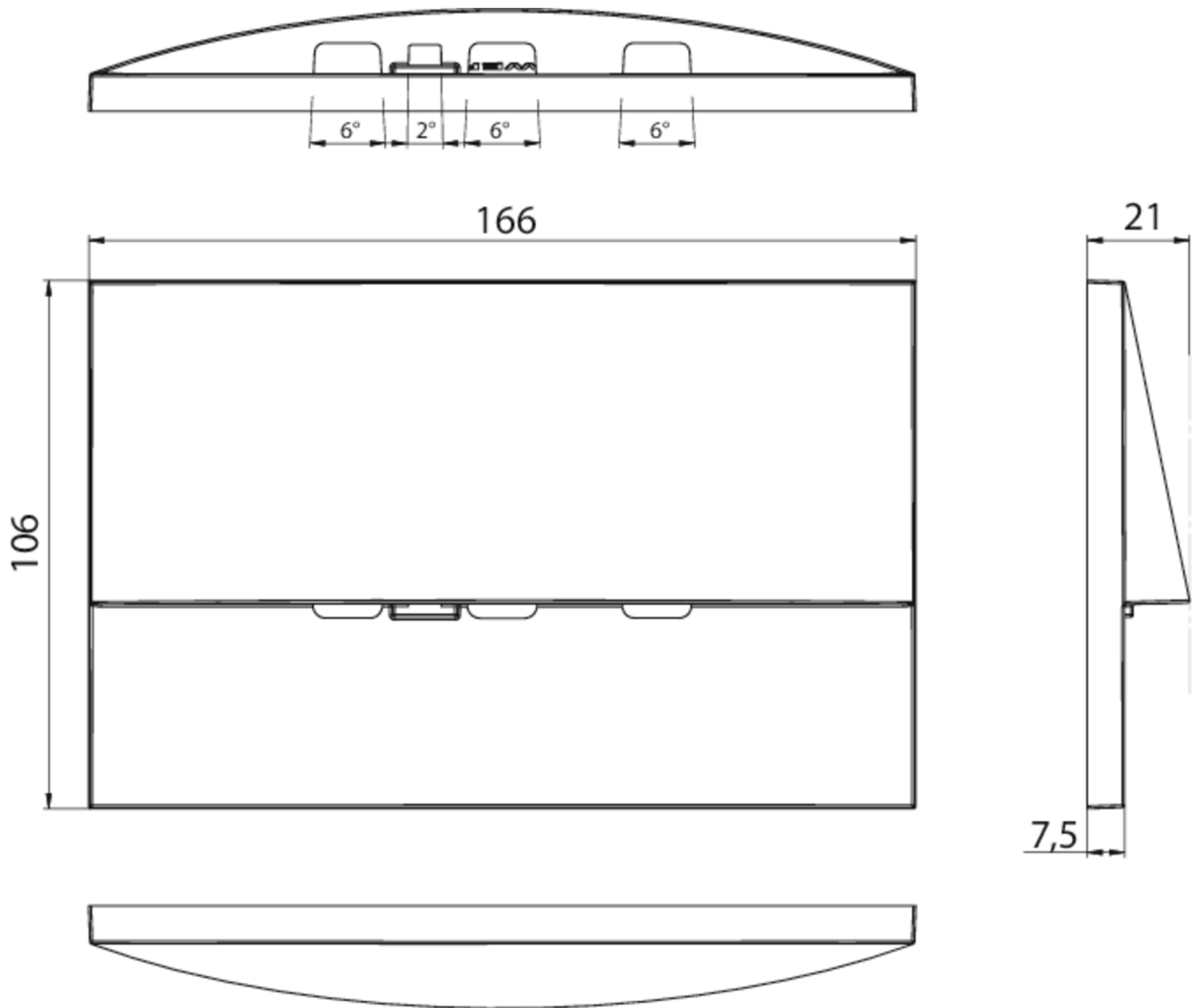
|                        |                                  |
|------------------------|----------------------------------|
| Luminaire type         | Safety luminaire                 |
| Mounting               | Recessed wall mounting           |
| Pictograph             | No                               |
| Illuminant             | LED                              |
| Housing material       | Zinc die-cast                    |
| Housing color          | Stainless steel                  |
| Protection type (IP)   | IP20                             |
| Impact resistance (IK) | 7                                |
| Certification          | WEEE, CE                         |
| Insulation class       | 2                                |
| Supply                 | Centralised power supply systems |
| Monitoring             | Without monitoring               |
| Bridging time          | CPS                              |
| Battery                | /                                |
| Operating mode         | Permanent circuit                |
| Input voltage AC       | 230 V                            |
| Input frequency        | 50 / 60 Hz                       |
| Input voltage DC       | 100-254 V                        |
| Power max.             | 3,9 W                            |

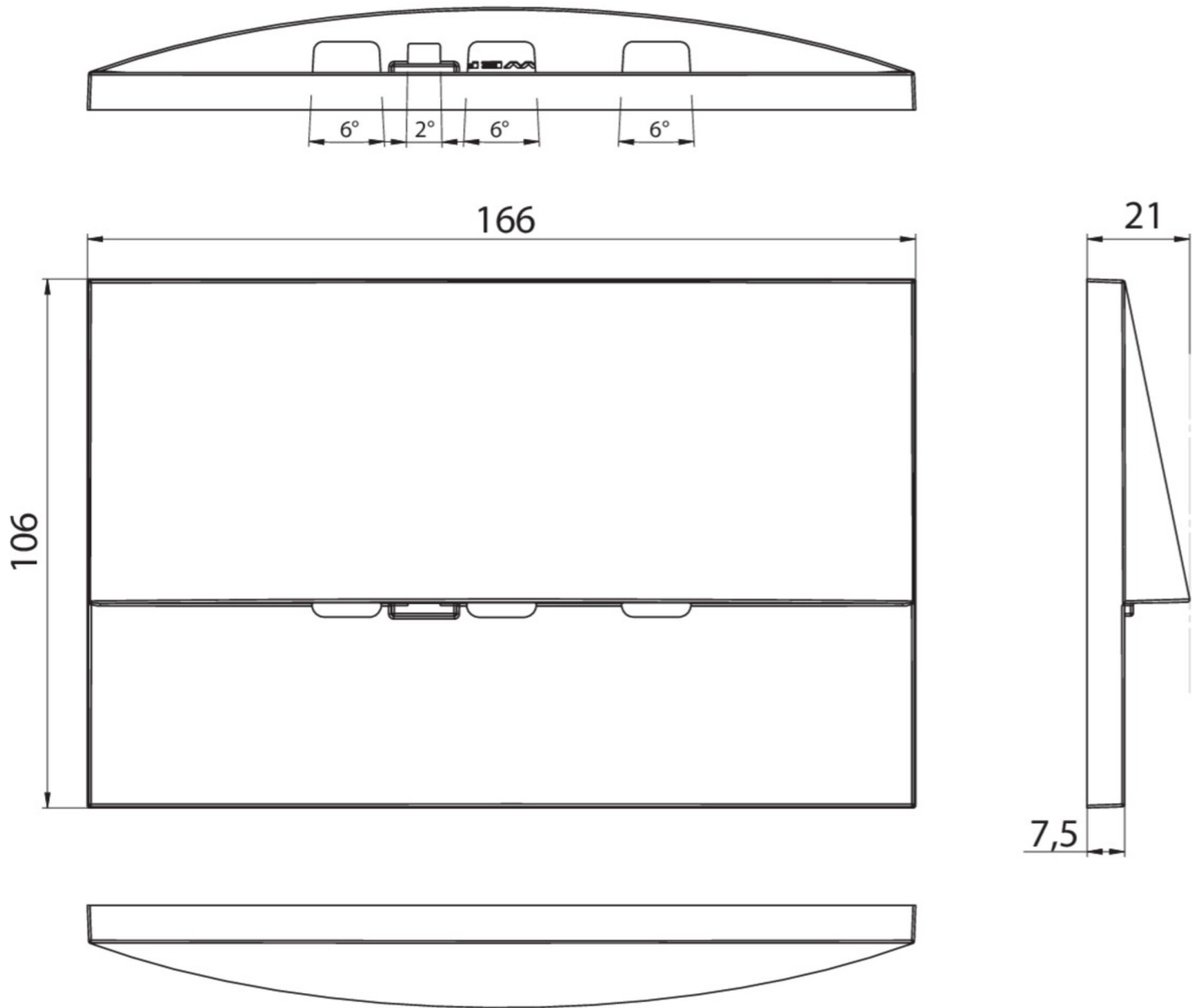


|                          |                     |
|--------------------------|---------------------|
| Power DS                 | 3,9 W               |
| Power BS                 | 0 W                 |
| Ambient temperature DS   | -5 °C to 40 °C      |
| Ambient temperature BS   | -5 °C to 40 °C      |
| Depth                    | 20 mm               |
| Width                    | 161 mm              |
| Height                   | 107 mm              |
| Installation length      | 155 mm              |
| Installation width       | 82 mm               |
| Installation height      | 70 mm               |
| Weight                   | 0.45                |
| Weight incl. packaging   | 0.48                |
| Connection cross-section | 1.5 mm <sup>2</sup> |
| Switching input          | No                  |
| Emergency light blocking | No                  |
| Battery connection       | No                  |
| Dimming function         | No                  |
| Luminous flux mains      | 420 lm              |
| Luminous flux emergency  | 420 lm              |
| Customs tariff number    | 94056180            |
| EAN                      | 4260682141491       |



TECHNICAL DRAWING





As of: 22.01.2025 - Subject to technical changes and errors.