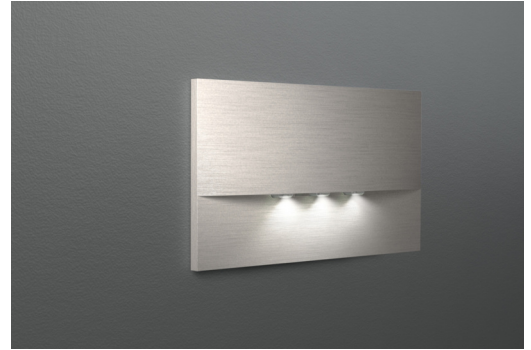




Emergency luminaire Art.-No.: WEF421SC-E

LED emergency luminaire for wall installation and for the lighting of escape and rescue routes according to DIN EN 60598-1, DIN EN 60598-2-22 and DIN EN 1838. The discreet recessed luminaire is designed for installation in conventional double jacks. The mounting frame can be aligned with the jack. The zinc-aluminum cover is attached without externally visible fastening. Through the status LED which is incorporated in the lens the harmony of the housing is not interrupted.



TECHNICAL DATA

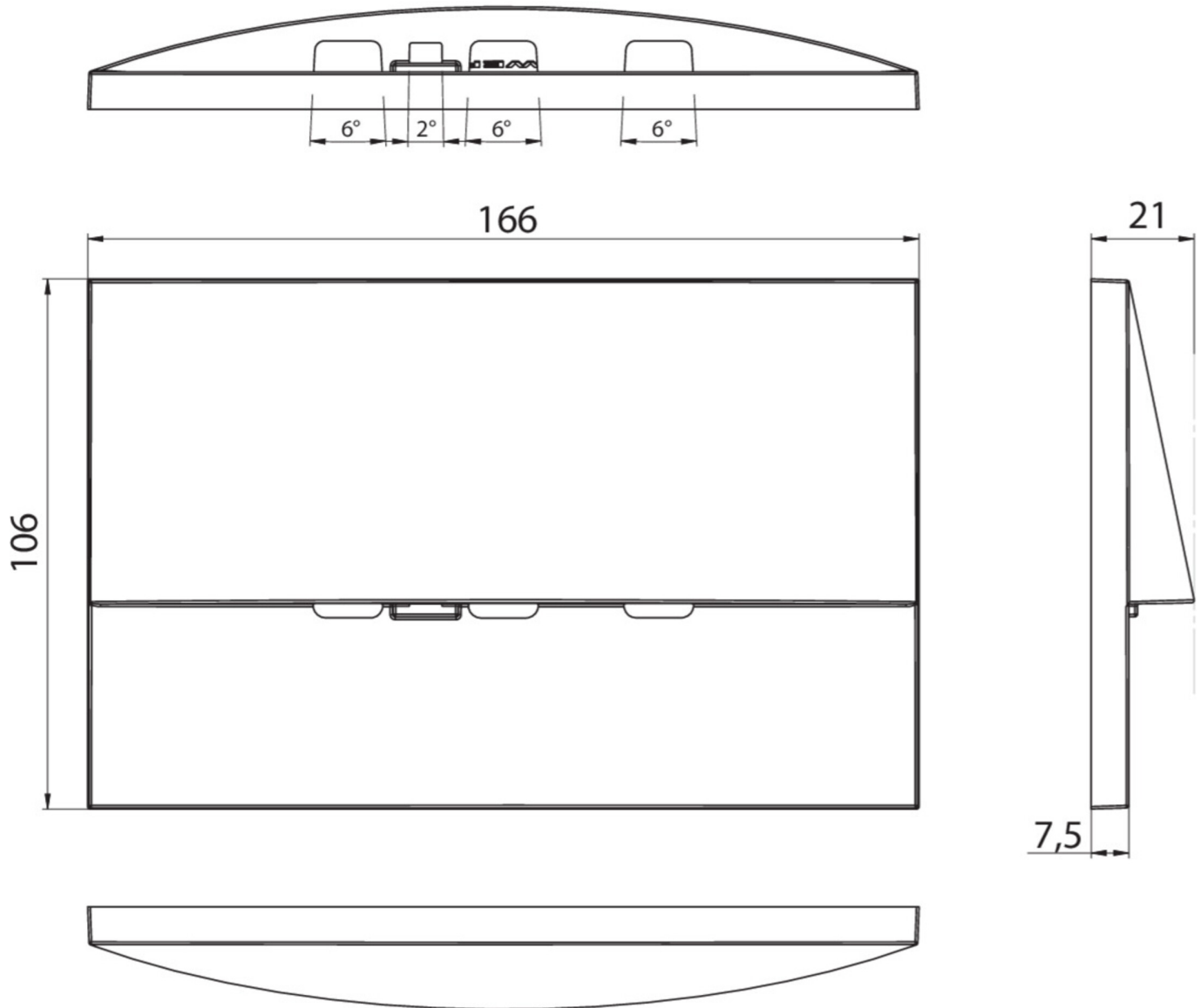
| | |
|---|--------------------------------|
| Luminaire type | Emergency luminaire |
| Mounting | Recessed wall |
| Pictograph | No |
| Illuminant | LED |
| Housing material | Zinc die casting |
| Colour | Stainless steel look |
| Mechanical rating IP | 20 |
| Impact resistance IK | 7 |
| Protection class | 2 |
| Supply | Single battery |
| Monitoring | Self-Control |
| Operation time | 1 h |
| Battery | 6.4V/3.3Ah LiFeP04 |
| Operation mode | maintained/non-maintained mode |
| Input Voltage AC | 230 V |
| Input Frequency Hz | 50 Hz |
| Power consumption max. | 5,4 W |
| Power consumption maintained | 4,5 W |
| Power consumption non-maintained | 0,9 W |
| Ambient temperature maintained mode | -5 °C / 40 °C |
| Ambient temperature non-maintained mode | -5 °C / 40 °C |
| Length | 20 mm |
| Width | 161 mm |
| Height | 107 mm |



| | |
|------------------------------|---------------|
| Install. dim. length | 155 mm |
| Install. dim. width | 82 mm |
| Install. dim. height | 70 mm |
| Weight | 0.58 kg |
| Weight incl. Packaging | 0.61 kg |
| Connection cross-section | 1.5 mm |
| Switching input L' | Yes |
| Emergency light blocking | No |
| Battery connector | Plug |
| Dimming function | No |
| Luminous flux mains mode | 420 lm |
| Luminous flux emergency mode | 420 lm |
| Customs tariff number | 94056180 |
| Coutry of origin | Germany |
| EAN | 4260766556715 |



TECHNICAL DRAWING



ACCESSORIES

LFP3216-SET-2AKKU -