



## Emergency luminaire Art.-No.: WEF421SC

LED emergency luminaire for wall installation and for the lighting of escape and rescue routes according to DIN EN 60598-1, DIN EN 60598-2-22 and DIN EN 1838. The discreet recessed luminaire is designed for installation in conventional double jacks. The mounting frame can be aligned with the jack. The zinc-aluminum cover is attached without externally visible fastening. Through the status LED which is incorporated in the lens the harmony of the housing is not interrupted.



### TECHNICAL DATA

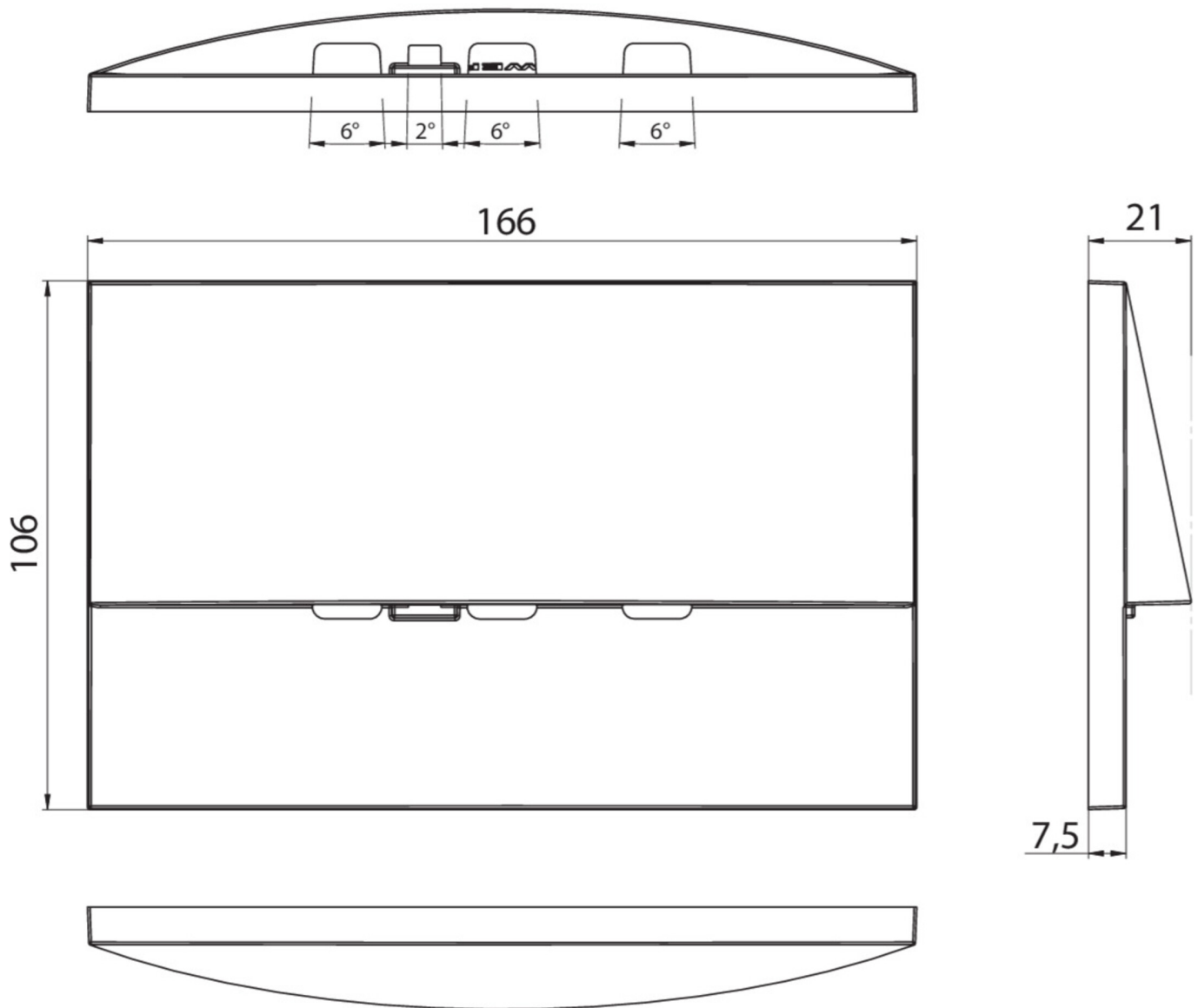
Luminaire type	Emergency luminaire
Mounting	Recessed wall
Pictograph	No
Illuminant	LED
Housing material	Zinc die-cast
Colour	RAL 9003
Mechanical rating IP	20
Impact resistance IK	7
Protection class	2
Supply	Single battery
Monitoring	Self-Control
Operation time	1 h
Battery	6.4V/3.3Ah LiFeP04
Operation mode	maintained/non-maintained mode
Input Voltage AC	230 V
Input Frequency Hz	50 Hz
Power consumption max.	5,4 W
Power consumption maintained	4,5 W
Power consumption non-maintained	0,9 W
Ambient temperature maintained mode	-5 °C / 40 °C
Ambient temperature non-maintained mode	-5 °C / 40 °C
Length	166 mm
Width	21 mm
Height	106 mm



Install. dim. length	155 mm
Install. dim. width	82 mm
Install. dim. height	70 mm
Weight	0.58 kg
Weight incl. Packaging	0.61 kg
Connection cross-section	1.5 mm
Switching input L'	Yes
Emergency light blocking	No
Battery connector	Plug
Dimming function	No
Luminous flux mains mode	420 lm
Luminous flux emergency mode	420 lm
Customs tariff number	94056180
Coutry of origin	Germany
EAN	4260766556692



## TECHNICAL DRAWING



## ACCESSORIES

LFP3216-SET-2AKKU -