



**Art.-Nr: WFXW411WL**  
**Exit sign Self-contained**  
**Wall mounting, Wireless Professional (WL), 1 h, 30 m, IP65,**  
**Polycarbonate, White**



Modern emergency exit sign wall luminaire in a square format.

For identifying escape and emergency routes. As an option, the luminaire can be used to identify other adjoining rooms.

The high level of protection can be ensured thanks to the easy-to-mount bayonet catch, making the luminaire suitable for varied use.

Wireless central control and monitoring for large installations of up to 50,000 luminaires with Wireless Professional. The requested pictogram (arrow to the right, left, up or down) is supplied as standard.



More information

[www.rp-group.com/en/item/WFXW411WL](http://www.rp-group.com/en/item/WFXW411WL)



## TECHNICAL DATA

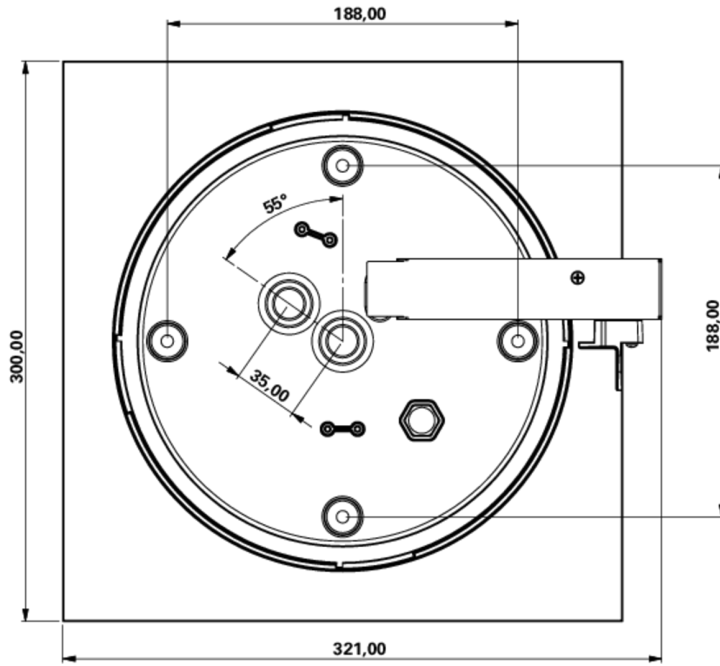
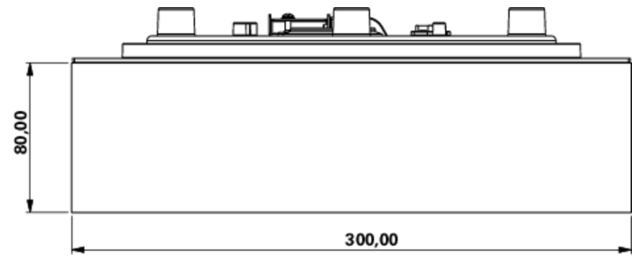
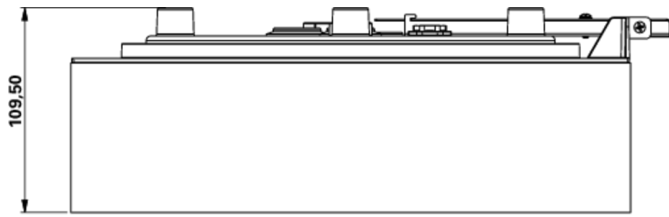
Luminaire type	Exit sign
Mounting	Wall mounting
Recognition distance	30 m
Pictograph	acc. to Specification
Illuminant	LED
Housing material	Polycarbonate
Housing color	White
Protection type (IP)	IP65
Impact resistance (IK)	4
Certification	WEEE, CE, 5 years warranty
Insulation class	2
Supply	Self-contained
Monitoring	Wireless Professional (WL)
Bridging time	1 h
Battery	LiFePO4 6,4 V/1,2 Ah
Operating mode	Non-maintained / maintained
Input voltage AC	230 V
Input frequency	50 Hz

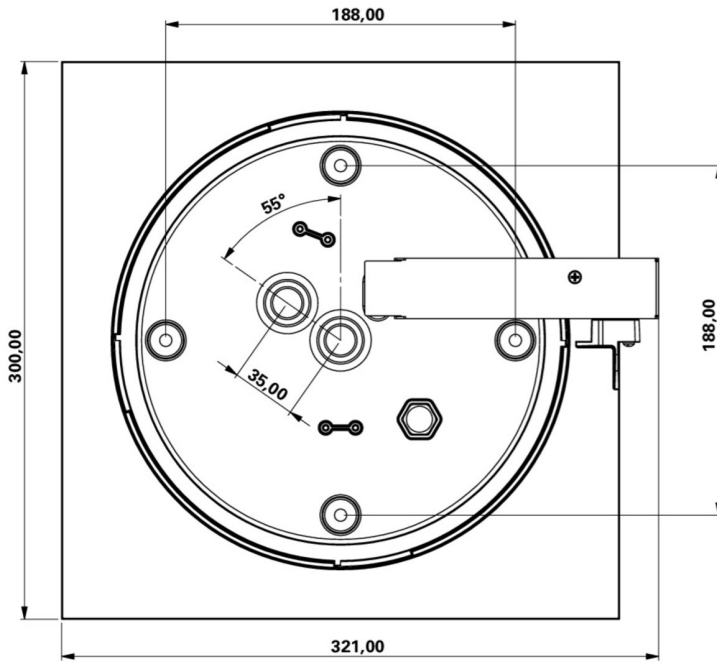
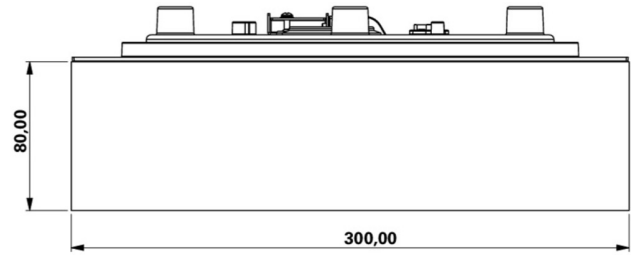
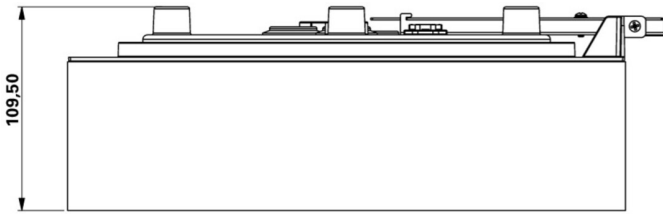


Power max.	7,5 W
Power maintained	5,7 W
Power non-maintained	0,8 W
Ambient temperature maintained mode	0 °C to 35 °C
Ambient temperature non-maintained mode	0 °C to 35 °C
Depth	300 mm
Width	300 mm
Height	110 mm
Weight	1.52
Weight incl. packaging	1.77
Connection cross-section	2.5 mm <sup>2</sup>
Switching input	Yes
Emergency light blocking	Yes
Battery connection	Connector
Dimming function	Yes
Luminous flux mains	250 lm
Luminous flux emergency	520 lm
Customs tariff number	94056180
EAN	4260682158437



TECHNICAL DRAWING





As of: 20.03.2025 - Subject to technical changes and errors.