



Art.-Nr: YEDRA-RENS-3701
LED recessed downlight "RAVIO", round, 172x80mm, 37W,
3500lm, 4000K, CRI >80, IP44, switchable

LED recessed and surface-mounted downlight, RAVIO series. IP20 (for the surface-mounted version). Housing made from plastic (PC) and passive aluminium cooler. Diffuser made from plastic, opal. Operating unit can be switched or dimmed (DALI dimmer), external (integrated in the surface-mounted version). Version with Casambi Bluetooth control available. DC compatibility on request.



More information

www.rp-group.com/en/item/YEDRA-RENS-3701



TECHNICAL DATA

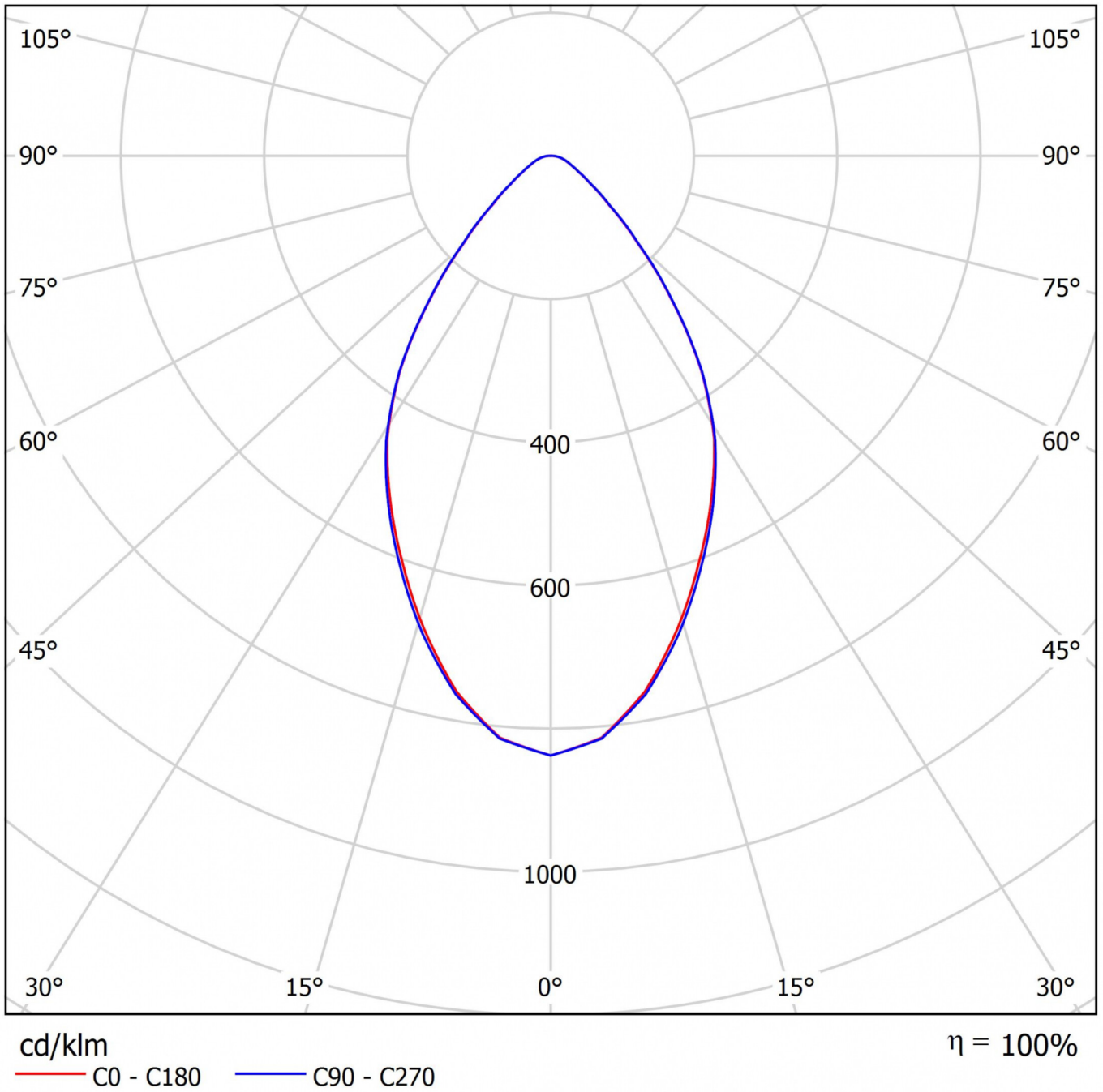
| Dimensions | |
|-----------------------------|-----------|
| Diameter | 172 mm |
| Product dimensions Height | 80 mm |
| Product weight | 0.6 kg |
| Packaging dimensions | |
| Packaging dimensions Length | 190 mm |
| Packaging dimensions Width | 190 mm |
| Packaging dimensions Height | 145 mm |
| Weight incl. packaging | 0.7 kg |
| Cutout Dimensions | |
| Diameter | 160 mm |
| Color | |
| Color | White |
| Housing material | |
| Housing material | Aluminium |
| Certification | |
| Certification | CE, ENEC |
| Insulation class | 2 |
| Protection type (IP) | IP44 |
| Glow wire test | 650 °C |

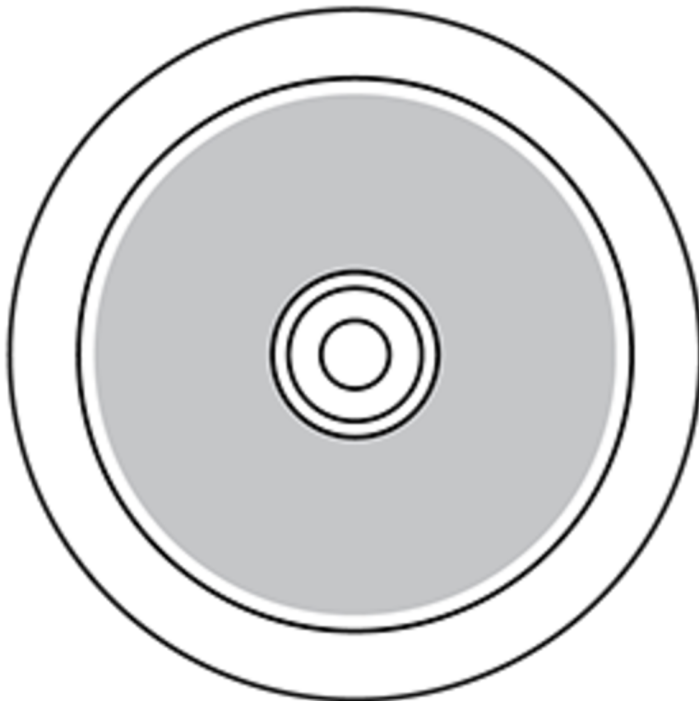
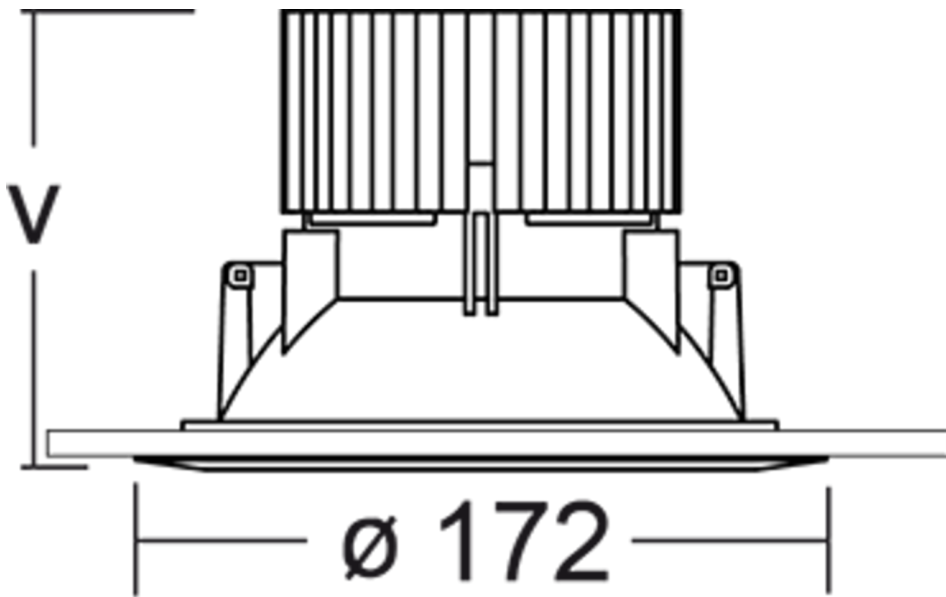


| Electrical connection | |
|---|--|
| Connection cross-section | 1.5 mm ² |
| System performance | 37 W |
| Input voltage AC | 220-240V / 50-60Hz V |
| Power factor | 0.95 PF |
| Light data | |
| Light source | LED |
| Rated luminous flux | 3500 lm |
| Colour rendering index | > 80 Ra |
| Colour tolerance | 3 |
| Beam angle | 64,2/64,4 ° |
| Color temperature | 4000 K |
| Light color | 840 |
| Service life | 50000 h, L80 |
| Light yield | 95 lm/w |
| Temperatures | |
| Ambient temperature (Min) | 0 °C |
| Ambient temperature (Max) | +25 °C |
| Mounting | |
| Mounting | Ceiling mounting |
| power supply | |
| Number of power supply units on LS B10A | 8 pcs. |
| Number of power supply units on LS B16A | 16 pcs. |
| Number of power supply units at LS C10A | 16 pcs. |
| Number of power supply units at LS C16A | 32 pcs. |
| Electrical design | with internal control gear, Switchable |



TEXT.LICHTVERTEILUNG





As of: 10.04.2025 - Subject to technical changes and errors.