



**Art.-Nr: YFBPR-160070-Z2-S10**  
**LED surface mounting profile type Z, silver anodized, 2000x16x7mm**



More information  
[www.rp-group.com/en/item/  
YFBPR-160070-Z2-S10](http://www.rp-group.com/en/item/YFBPR-160070-Z2-S10)

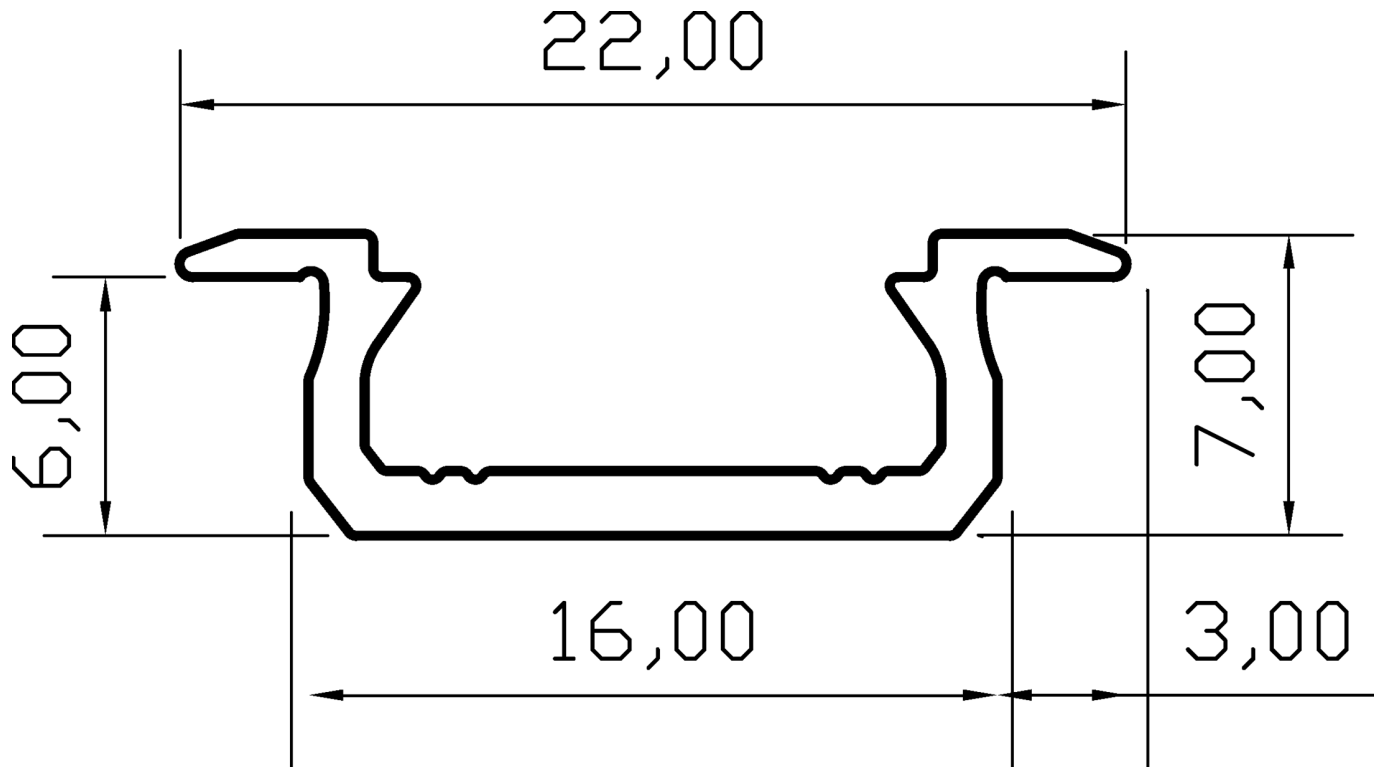


## TECHNICAL DATA

Dimensions	
Product dimensions Length	2000 mm
Product dimensions Width	16 mm
Product dimensions Height	7 mm
Color	
Color	Anodised aluminium
Housing material	
Housing material	Aluminium
Mounting	
Mounting	Universal



TEXT.LICHTVERTEILUNG



As of: 10.04.2025 - Subject to technical changes and errors.