



Art.-Nr: YFBPR-170180-Y2-S10
LED surface mounting profile type Y, silver anodized,
2000x16x18mm



More information
[www.rp-group.com/en/item/
YFBPR-170180-Y2-S10](http://www.rp-group.com/en/item/YFBPR-170180-Y2-S10)

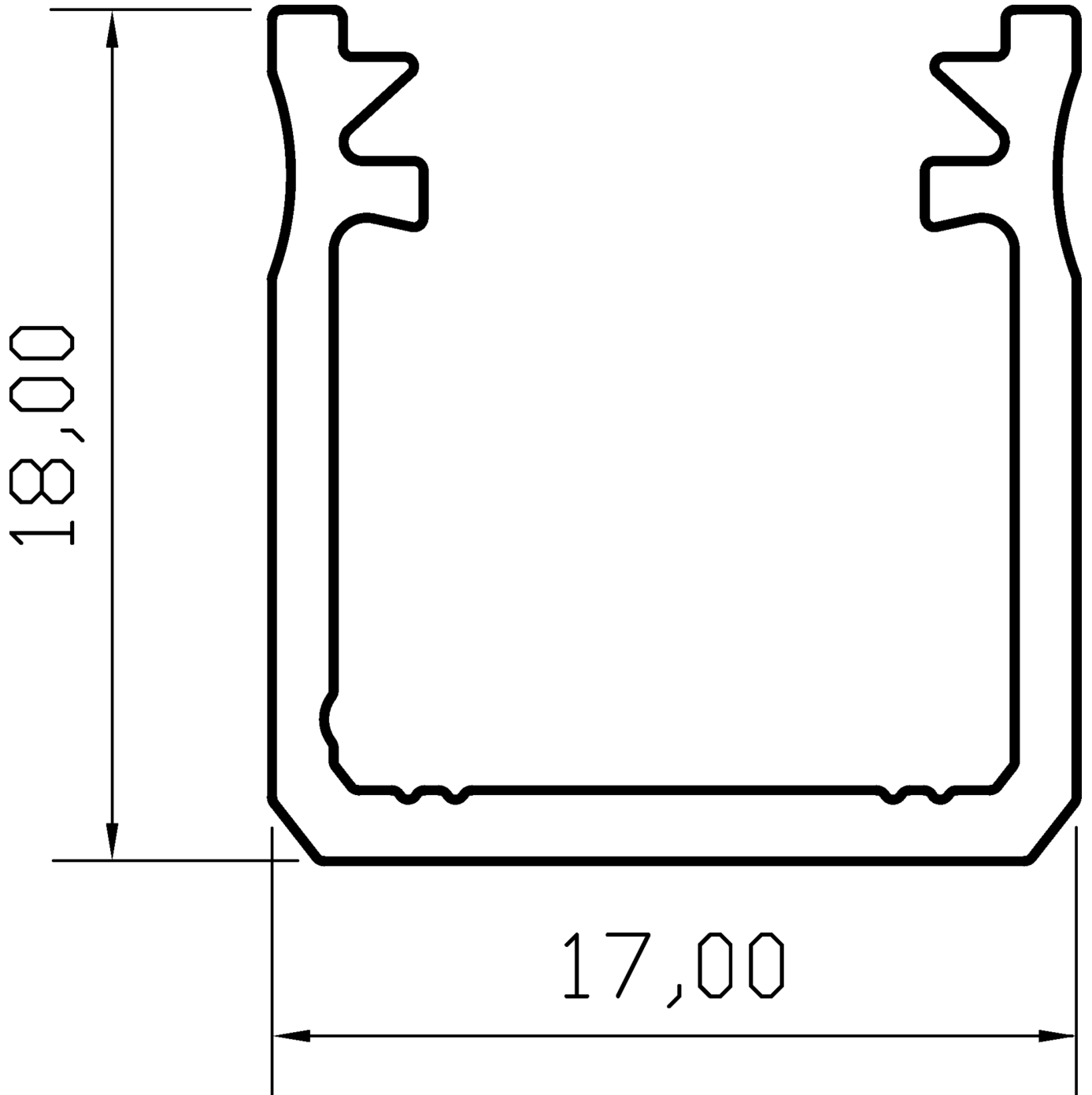


TECHNICAL DATA

Dimensions	
Product dimensions Length	2000 mm
Product dimensions Width	17 mm
Product dimensions Height	18 mm
Color	
Color	Anodised aluminium
Housing material	
Housing material	Aluminium
Mounting	
Mounting	Universal



TEXT.LICHTVERTEILUNG



As of: 10.04.2025 - Subject to technical changes and errors.