



Art.-Nr: YHAHB-RPND-20001
LED high bay spotlight "HIGH BAY"
beam angle 120°, 380x233mm, 200W,

LED high-bay luminaires, High Bay series, for wire or chain suspension, IP65. Die-cast aluminium housing, powder-coated. Interchangeable PC lenses, non-yellowing, for various beam angles (60°, 90°, 120°). Operating unit can be switched or dimmed (DALI dimmer). Version with CASAMBI® Bluetooth control available.



More information

www.rp-group.com/en/item/YHAHB-RPND-20001



TECHNICAL DATA

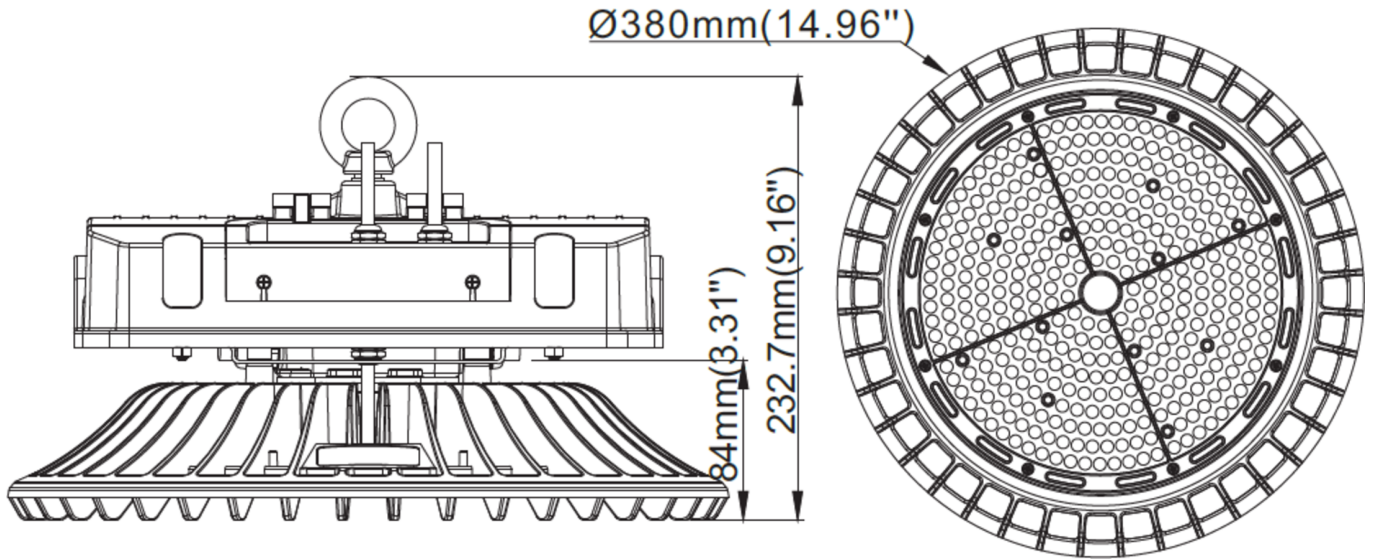
Dimensions	
Diameter	380 mm
Product dimensions Height	233 mm
Product weight	5.5 kg
Color	
Color	Black
Housing material	
Housing material	Aluminum die-cast
Certification	
Certification	CE, TÜV Rheinland Type approved, RoHS
Insulation class	1
Protection type (IP)	IP65
Shock resistance level (IK)	10
Glow wire test	650 °C
Electrical connection	
Type of dimming	DALI
System performance	200 W
Input voltage AC	220-240V / 50-60Hz V
Starting current	60 A
Power factor	0.95 PF



Starting time	510 μ s
power supply	
Number of power supply units on LS B16A	4 pcs.
Number of power supply units at LS C16A	6 pcs.
Electrical design	with internal control gear, Dimmable
Light data	
Light source	LED
Rated luminous flux	28000 lm
Colour rendering index	> 80 Ra
Colour tolerance	5
Beam angle	120 °
Color temperature	4000 K
Light color	840
Service life	50000 h, L70
Light yield	140 lm/w
Temperatures	
Ambient temperature (Min)	-40 °C
Ambient temperature (Max)	+50 °C
Mounting	
Mounting	CS_VALUE_MountingMethod.Deckenaufbau-Pendel
Packaging dimensions	
Packaging dimensions Length	465 mm
Packaging dimensions Width	465 mm
Packaging dimensions Height	310 mm
Weight incl. packaging	8.13 kg



TEXT.LICHTVERTEILUNG



As of: 14.10.2024 - Subject to technical changes and errors.