



**Art.-Nr: YHAHB-RPNS-15001**  
**LED high bay spotlight "HIGH BAY"**  
**beam angle 120°, 330x193mm, 150W,**

LED high-bay luminaires, High Bay series, for wire or chain suspension, IP65. Die-cast aluminium housing, powder-coated. Interchangeable PC lenses, non-yellowing, for various beam angles (60°, 90°, 120°). Operating unit can be switched or dimmed (DALI dimmer). Version with CASAMBI® Bluetooth control available.



More information

[www.rp-group.com/en/item/YHAHB-RPNS-15001](http://www.rp-group.com/en/item/YHAHB-RPNS-15001)



## TECHNICAL DATA

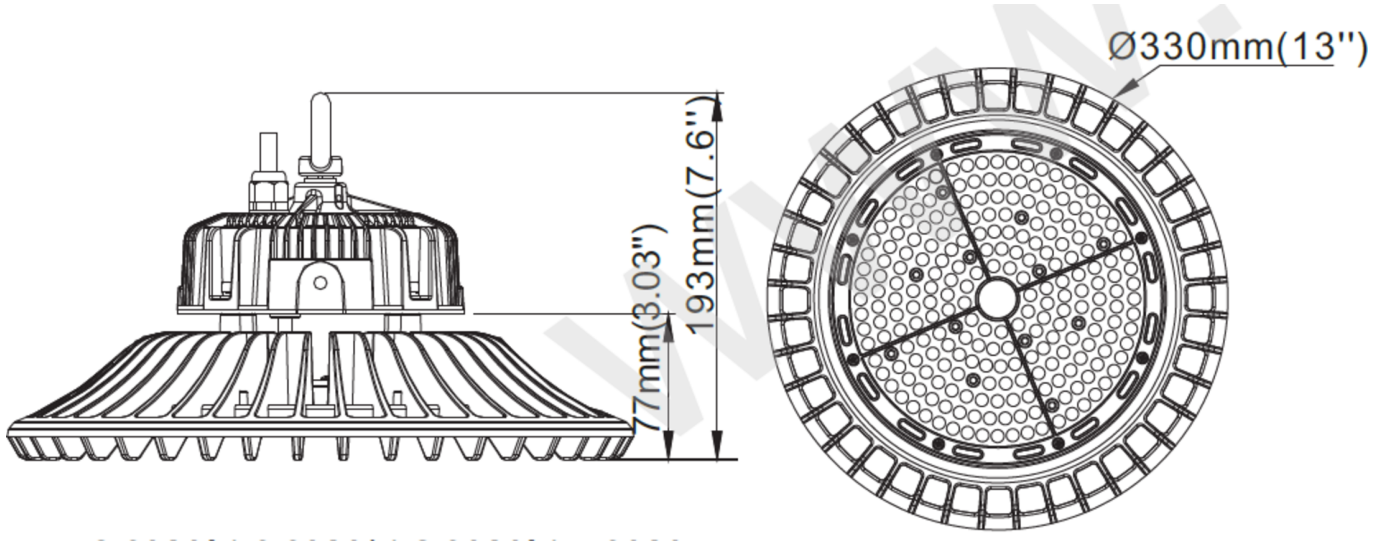
Dimensions	
Diameter	330 mm
Product dimensions Height	193 mm
Product weight	3.5 kg
Cutout Dimensions	
Diameter	0 mm
Hole cut-out width	0 mm
Color	
Color	Black
Housing material	
Housing material	Aluminum die-cast
Certification	
Certification	CE, TÜV Rheinland Type approved, RoHS
Insulation class	1
Protection type (IP)	IP65
Shock resistance level (IK)	10
Glow wire test	650 °C
Electrical connection	
System performance	150 W
Input voltage AC	220-240V / 50-60Hz V
Starting current	65 A



Power factor	0.95 PF
Starting time	550 µs
<b>power supply</b>	
Number of power supply units on LS B16A	4 pcs.
Number of power supply units at LS C16A	7 pcs.
Electrical design	with internal control gear, Switchable
<b>Light data</b>	
Light source	LED
Rated luminous flux	21000 lm
Colour rendering index	> 80 Ra
Colour tolerance	5
Beam angle	120 °
Color temperature	4000 K
Light color	840
Service life	50000 h, L70
Light yield	140 lm/w
<b>Temperatures</b>	
Ambient temperature (Min)	-40 °C
Ambient temperature (Max)	+50 °C
<b>Mounting</b>	
Mounting	CS_VALUE_MountingMethod.Deckenaufbau-Pendel
<b>Packaging dimensions</b>	
Packaging dimensions Length	395 mm
Packaging dimensions Width	395 mm
Packaging dimensions Height	230 mm
Weight incl. packaging	5.12 kg



TEXT.LICHTVERTEILUNG



As of: 14.10.2024 - Subject to technical changes and errors.