



Art.-Nr: YHAHB-RPNS-24001
LED high bay spotlight "HIGH BAY"
beam angle 120°, 380x200mm, 230W,

LED high-bay luminaires, High Bay series, for wire or chain suspension, IP65. Die-cast aluminium housing, powder-coated. Interchangeable PC lenses, non-yellowing, for various beam angles (60°, 90°, 120°). Operating unit can be switched or dimmed (DALI dimmer). Version with CASAMBI® Bluetooth control available.



More information

www.rp-group.com/en/item/YHAHB-RPNS-24001



TECHNICAL DATA

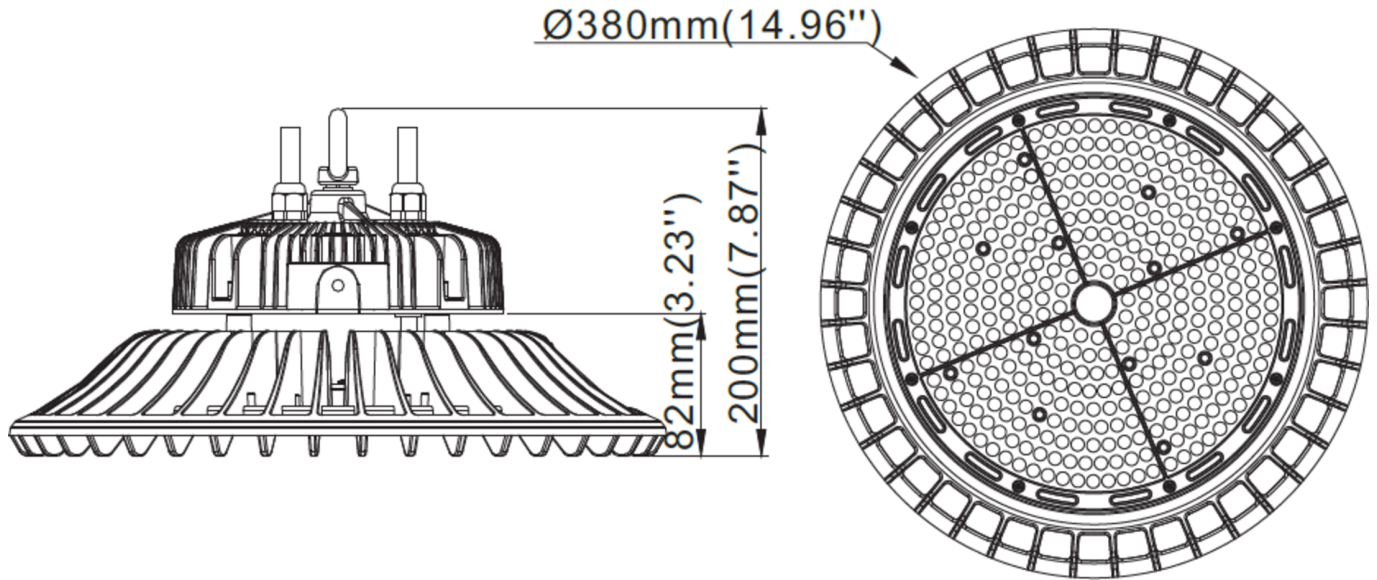
Dimensions	
Diameter	380 mm
Product dimensions Height	200 mm
Product weight	5.5 kg
Color	
Color	Black
Housing material	
Housing material	Aluminum die-cast
Certification	
Certification	CE, TÜV Rheinland Type approved, RoHS
Insulation class	1
Protection type (IP)	IP65
Shock resistance level (IK)	10
Glow wire test	650 °C
Electrical connection	
System performance	240 W
Input voltage AC	220-240V / 50-60Hz V
Starting current	75 A
Power factor	0.95 PF
Starting time	680 µs
power supply	



Number of power supply units on LS B16A	2 pcs.
Number of power supply units at LS C16A	3 pcs.
Electrical design	with internal control gear, Switchable
Light data	
Light source	LED
Rated luminous flux	33600 lm
Colour rendering index	> 80 Ra
Colour tolerance	5
Beam angle	120 °
Color temperature	4000 K
Light color	840
Service life	50000 h, L70
Light yield	140 lm/w
Temperatures	
Ambient temperature (Min)	-40 °C
Ambient temperature (Max)	+50 °C
Mounting	
Mounting	Pendulum
Packaging dimensions	
Packaging dimensions Length	445 mm
Packaging dimensions Width	445 mm
Packaging dimensions Height	240 mm
Weight incl. packaging	7.68 kg



TEXT.LICHTVERTEILUNG



As of: 23.08.2024 - Subject to technical changes and errors.